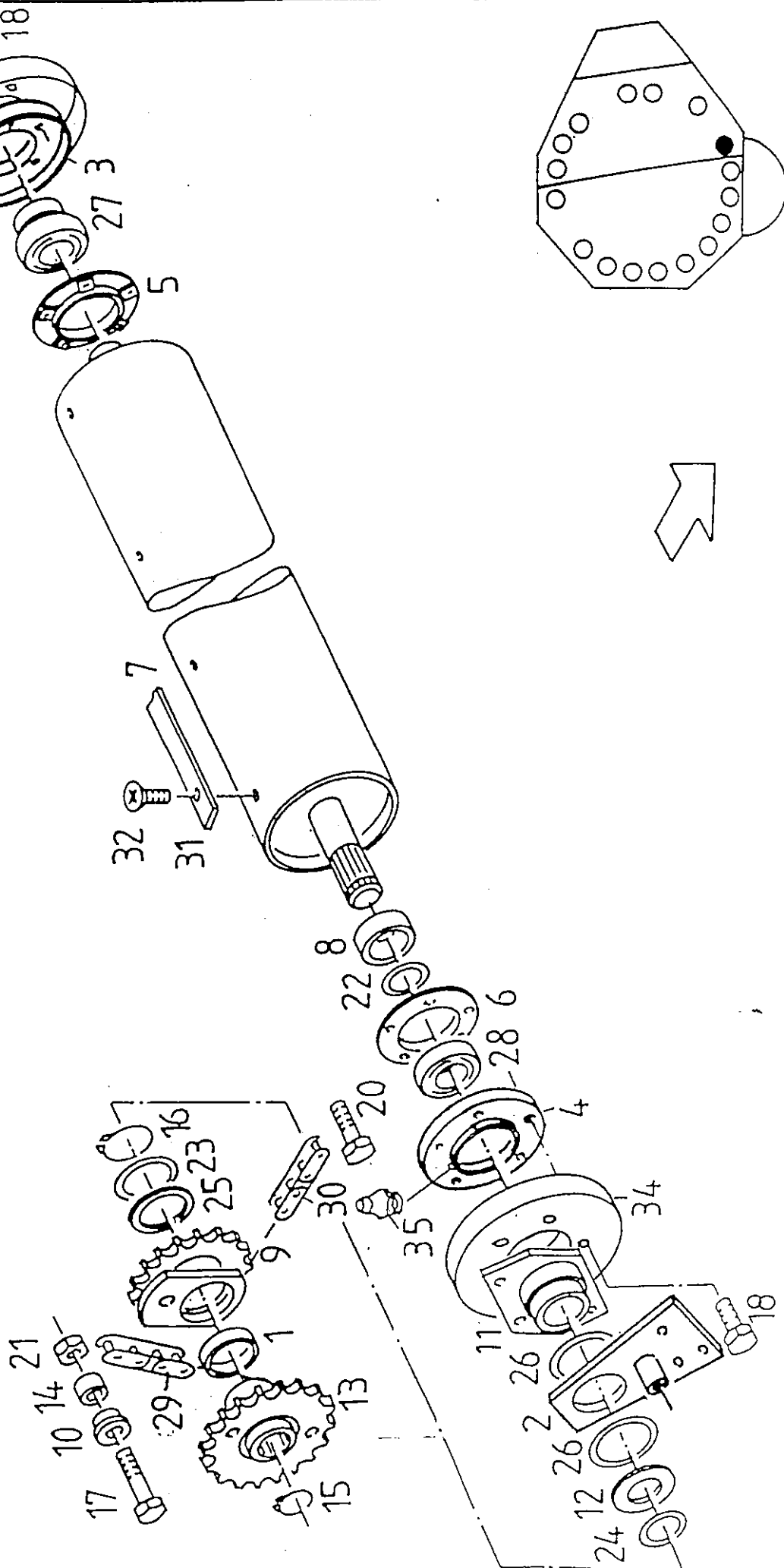


L02



1 0 0 1 4 9 9 0 3