



深圳市泛科科技有限公司
Shenzhen VANQ Technology Co.,Ltd.

Specification of 200w LED Grow Light

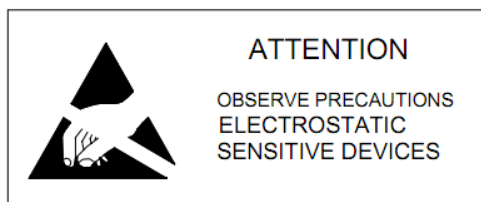
Model No.: VQ-GLFI200W Series

Series No.: VQ-RD-GGS-GL008

Version: 1.0

Description:

- ◆ 4*50W integrated 200W LED Grow Light
- ◆ Emitting Color : Full Spectrum Light



Tel: +86-755-29042099

Fax: +86-755-29042092

Email: vanqled@vanqled.com

Website: www.vanqled.com

Address: Floor 3,Bldg B, Debaoli Technological Park, Jihua Road, Bantian Street, Longgang District, Shenzhen, China

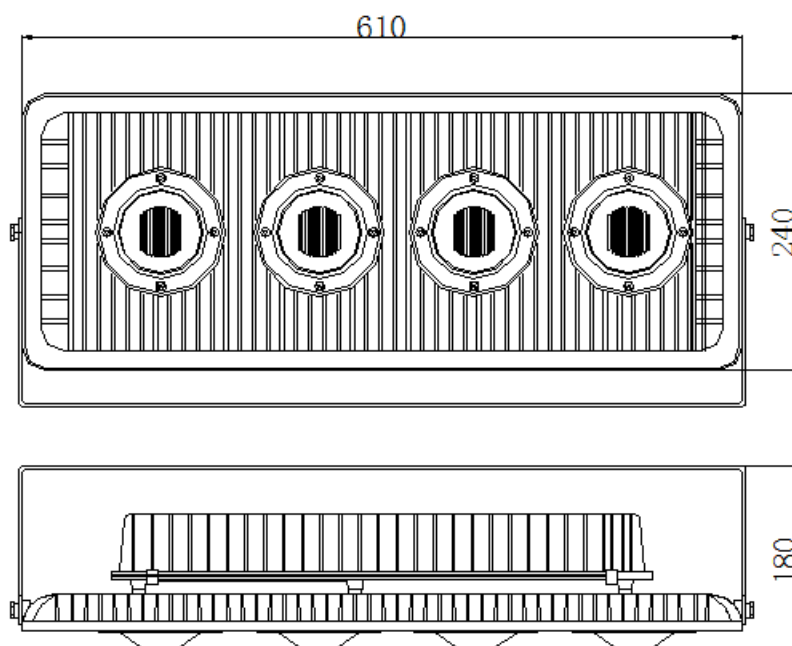
Model No.	VQ-GLFI200W Series
Item No.	VQ-RD-GGS-GL008
Version	1.0

Specification of 200w LED Grow Light

VQ-GLFI200 200w LED grow lamp series as the 3rd generation LED grow lights from Shenzhen VANQ, adopting advanced integrated LED, Possessing the extra advantage: solid working performance, well heat dissipation, self production on high temperatue enviroment.

Meanwhile, In comparison with marketing lamps, adopting the full spectrum LED encapsulation, secondary lens, maximumly enriching light spectrums, saving energy and evenly light distribution, largely decreasing the loss for light photon, and promoting the photosynthesis photo flux.

Approved certificates CE& Rohs.



Model No.	VQ-GLFI200W Series
Item No.	VQ-RD-GGS-GL008
Version	1.0

a. Feature

- 1、 Full Spectrum light, wide light coverage of 380-840nm, Based on different plants varieties for light receipt, adopting different light spectrums needed by the plants, it is energy-saving, and good for plant health.
- 2、 With Driver of Constant Voltage/Constant Current, solid current manipulation, instant switch-on, power efficiency 0.95. High Power driver efficiency with safety.
- 3、 Light Housing possesses integrated heat management, with elegant appearance design.
- 4、 Multi-choice of double lens, more beam angle available, with high lighting density.
- 5、 Housing Cover material is Die-casting Aluminum, solid housing design, anti-corrosion, meet a criterion of IP67
- 6、 Flexible hanging choice available, for project fixed installation, and for suspension light.

b. Parameter

Item No.	VQ-GLFI200W
Input Voltage	AC85~265V
Housing Cover Size	610*240*180mm
Working Frequency	50/60Hz
Waterproof Grade	IP65
Material	Die-casting Aluminum
Led Quantity	4*50W
Nominal Power	200W
Wavelength	380-840nm
Working Temperature	-20~40℃
Application Condition	For Greenhouse Plant Supplemental Lighting
Lifespan	≥25000Hours
Housing Cover Color	Gray
Beam Angle	90°
Recommended Hanging Height	1.0m
PPFD	144μmol/m ² /s/
Net Weight(Kg)	8.2Kg

Model No.	VQ-GLFI200W Series
Item No.	VQ-RD-GGS-GL008
Version	1.0

c. Technical Parameter

1. Spectrum Design Philosophy

Different plants need different spectrum for plant growth, in different growth phase like sprout, flowering, The Series of Grow Light VQ-GLFI are designed to make sure emission spectrum is the exact one needed for plant absorption.

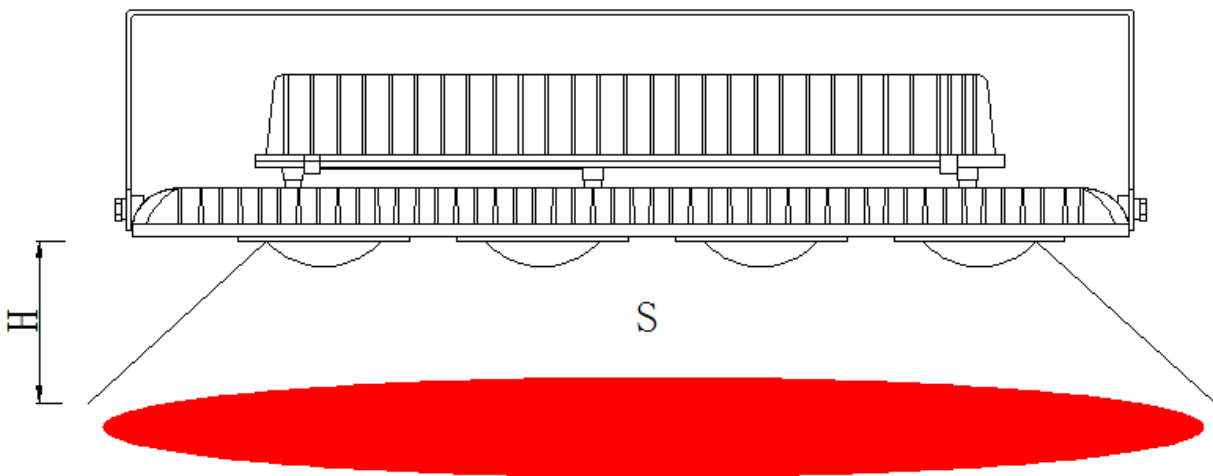
2. Lighting Coverage

Irradiation area S and Height H

120°lens: $S=3.6H^2$

90 lens: $S1=1.9H^2$

H: the lamp hanging height above the canopy of the plant.



3. Lighting Intensity and PPF data

From different hanging height, different distance from the light source.

Model No.	VQ-GLFI200W Series
Item No.	VQ-RD-GGS-GL008
Version	1.0

VQ-GLFI200 Series Test Data															
Beam angle	Height	Data	From the lighting source distance Unit: cm												
			0	10	20	30	40	50	60	70	80	90	100	110	120
90°	0.3 m	PPFD	1200	992	726	467	211	9.6							
		LUX	24503	20253	14879	9655	4398	211							
	0.5 m	PPFD	592	533	427	290	224	149	52	7					
		LUX	12199	11001	8817	6012	4689	3135	1116	157					
	0.6 m	PPFD	415	339	315	238	197	159	87	32	3				
		LUX	8585	7014	6557	4980	4120	3356	1861	684	78				
	0.9 m	PPFD	144	145	134	119	114	99	83	67	44	26	22		
		LUX	3001	3012	2789	2481	2388	2083	1748	1421	943	580	485		
	1.2 m	PPFD	105	99	95	88	81	74	64	53	47	37	30		
		LUX	2179	2052	1980	1840	1706	1553	1358	1114	1001	794	657		
	1.5 m	PPFD	67	64	63	58	53	51	48	41	37	34	27		
		LUX	1404	1344	1322	1214	1155	1082	1011	876	786	736	577		
	1.8 m	PPFD	46	45	46	44	43	41	38	36	32	28	26		
		LUX	961	942	956	930	903	856	906	750	697	606	558		
	2.0 m	PPFD	38	38	38	36	35	34	32	30	27	25	23		
		LUX	794	793	791	756	736	714	679	632	580	519	486		

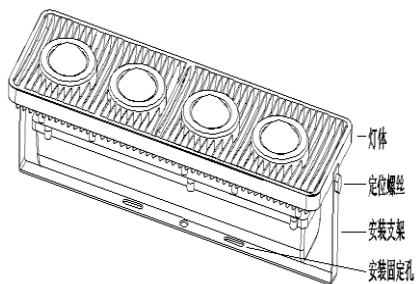
d. Product Installation

1. Installation schematic diagram

Notice: Make sure switch-off before installation and replacement.

Please select a professional electrician for installation.

Please don't separate, maintain, or refit the light



Sketch Map installation



Wiring Sketch Map

Model No.	VQ-GLFI200W Series
Item No.	VQ-RD-GGS-GL008
Version	1.0

e. Installation Steps:

1. Loose the screw hardware holder, and take down the holder.
2. Fix the anchor bolts on the three holes of the holder.
3. Make sure the plug and wires (L/N/GN) are correctly connected before turning on the switch.
4. Please make sure the light is ground connection, please switch off the light on thunderstorm weather to ensure life safety.
5. Make sure the working environment is: -20-40°C temperature, humidity: RH-95%RH

f. Product Packing List

No.	Item Name	Quantity	Unit
1	Main Housing Body	1	Sets

g. Product Packing

Model No.	VQ-GLFI200W-FSA/FSB/FSC
Product Weight	8.2Kg
Outside Packing Weight	9Kg
Outside Packing Size	650*260*160mm

H. About us

Any problem in usage, please contact us in time. We will provide you both in time service and technical support

Our website: WWW.VANQLED.COM

I. After Sales service:

Model No.	VQ-GLFI200W Series
Item No.	VQ-RD-GGS-GL008
Version	1.0

Two years warranty

We offer two years warranty for all VANQ products from the date of your purchasing. During period of warranty, VANQ offer free repairing service for the products which is broken and damaged in the case of correct operation. Customer also need to provide purchase invoice and return the product to us.

Please be noted free repairing service don't apply for below circumstance:

- 1, the product wasn't used according to the product's manual
- 2, Artificial imposed quality problems
- 3, Self-transformation cause failure of product

Please provide the pictures of the products which have quality problems by email ,we will do our best to help you solve the problem.

Customer feedback

Thanks for purchasing VANQ product! For better service, please leave your valuable comments to our product and service.

Contact information:

Tel: 0755-29042099 0755-29042092

Fax: 0755-82113652

Email: vanqled@vanqled.com

Website: www.vanqled.com

Address: 3/F , #B Building, DeBaoLi Industrial Zone, # 399 Jihua Road, Ban Tian Town, Longgang District, Shenzhen City, GuangDong Pro., China 518129

Model No.	VQ-GLFI200W Series
Item No.	VQ-RD-GGS-GL008
Version	1.0

Product free-maintenance form

Customer name	
Address	
Purchase date	
Product code	
Product parameter	
others	

Product feedback form

Produce model:					
Produce code:					
Customer name		Date of receipt of goods		Contact info	
Address		Date of open the case		Date of fill the form	
Checking after open the case	Appear check				
	Electrical check				
The actual usage		date	Failure	Breakdown reason	The cumulative working hours
	First breakdown				
	Other breakdown				
The actual use effect					
Comments and suggestions					

To improve our product and service, we are looking forward to your kind comments and feedback. Thanks!

Model No.	VQ-GLFI200W Series
Item No.	VQ-RD-GGS-GL008
Version	1.0



Direct Tel Line: 0755-29042099 0755-29042092

Fax: 0755-82113652

Email: vanqled@vanqled.com

Website: www.vanqled.com