

林出持

原本

**PARTS CATALOGUE**

Attachments for TX tractors  
**ISEKI ROTARY HOES**

**SR 1100CD**  
**SR 1200CD**



海外事業本部  
 物流部海外部品課



*Printed on June 1978*

7900·098·00200

CONTENTS

Sommaire

SR1200CD

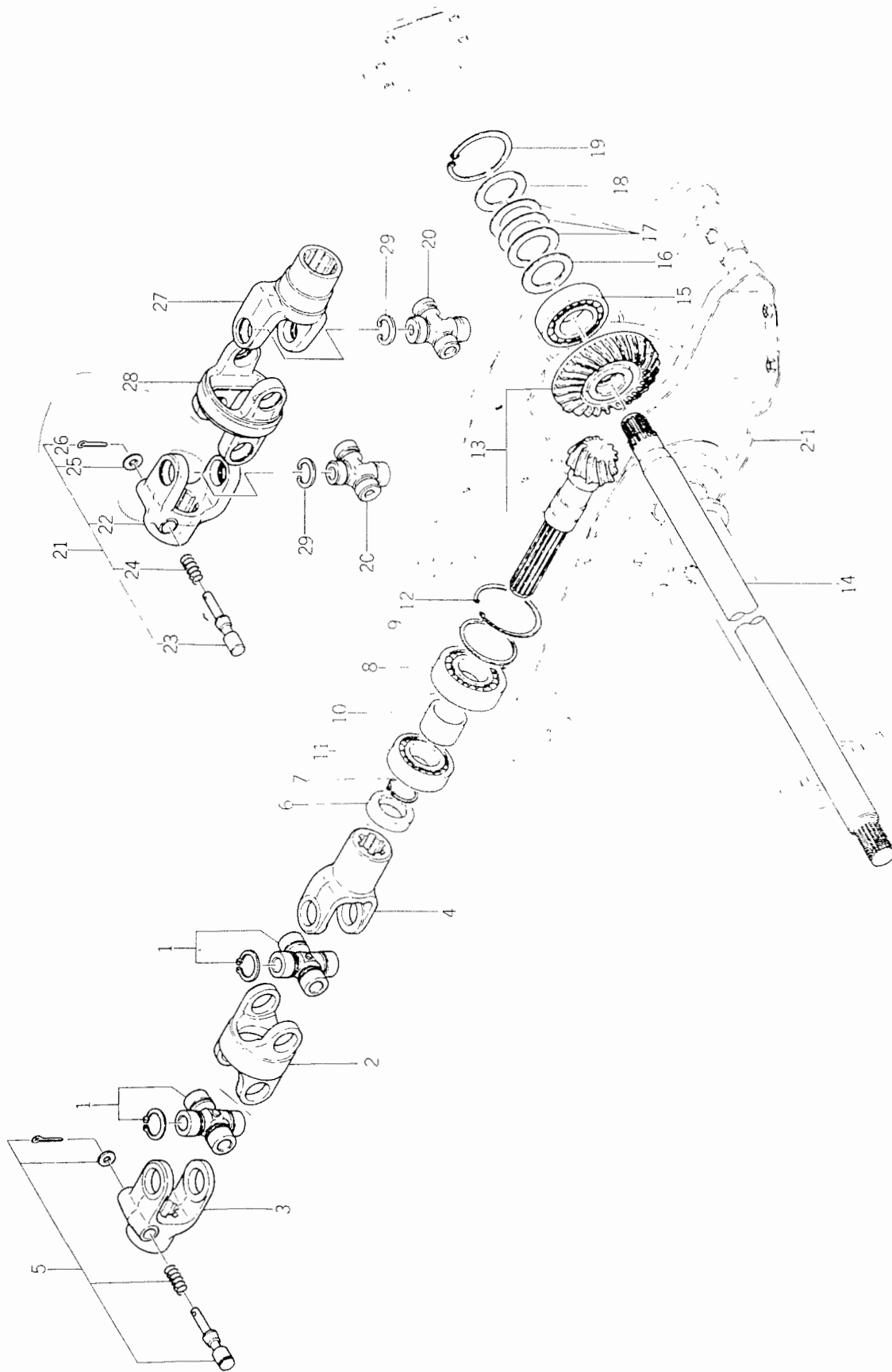
SR1100CD

Page

Fig. 1	Universal Joint System .....	1
	Transmission	
Fig. 2	Rotary Frame System .....	3
	Carter de transmission	
Fig. 3	Rotary Chain Case System .....	5
	Carter de chaine	
Fig. 4	Rotary Pipe .....	9
	Rotor	
Fig. 5	Rotary Cover .....	11
	Enveloppe	
Fig. 6	Gauge Pipe .....	15
	Sulky	

Fig. 1 Universal Joint System Transmission

—  
R  
R  
—



Ref No. Réf N°	Parts No. Pièces N°	Description Désignation	Model & Q'ty Modél & Quant		Remarks Remarques	
			SR1200CD	SR1100CD		
1- 0-1	7970-101-2000-0	JOINT, UNIVERSAL ASSY Cardan	1	1	1-0-1 can be interchangeable with 1-0-2. Component parts are not interchangeable.	
1- 1	7970-101-2100-0	• BEARING, SPIDER Croisillon	2	2		
1- 2	7970-101-0010-0	• YOKE, COUPLING Fourche	1	1		
1- 3	7970-101-0020-0	• YOKE, SPLINE (A) Fourche	1	1		
1- 4	7970-101-0030-0	• YOKE, SPLINE (B) Fourche	1	1		
1- 5	7970-101-2200-0	• PIN, LOCK Axe	1	1		
1- 6	V74413-552080	SEAL, OIL 'TC35528 Baquet d'étanchéité	1	1		
1- 7	V70414-003500	RING, SNAP/C-TYPE 35 Collet d'axe	1	1		
1- 8	V60011-063070	BEARING, RB/6307 Roulement	1	1		
1- 9	7970-201-0040-0	SHIM (A) Rondelle (A)	AR	AR		To adjust bevel pinion reglage couronne
1-10	7970-201-0050-0	COLLAR '36 x 45 x 25 Coussinet	1	1		
1-11	V60011-062070	BEARING, RB 6207 Roulement	1	1		
1-12	V70514-008000	RING, SNAP/C-TYPE 80 Collet d'axe	1	1		
1-13	7970-020-2000-0	GEAR, PINION SET Pignon	1	1		
1-14	7974-207-0020-0	SHAFT, TOP Arbre	1			
1-14-1	7970-207-0040-0	SHAFT, TOP Arbre		1		
1-15	V60011-062080	BEARING, RB 6208 Roulement	1	1		
1-16	7963-201-0070-0	SHIM (B) Rondelle (B)	AR	AR	To adjust bevel gear reglage couronne	
1-17	7963-201-0080-0	SHIM (C) Rondelle (C)	AR	AR		
1-18	7963-201-0090-0	WASHER Rondelle	1	1		
1-19	V70514-008000	RING, SNAP/C-TYPE 80 Collet d'axe	1	1		
1- 0-2	7970-101-2300-0	JOINT, UNIVERSAL ASSY Cardan	1	1	1-0-2 can be interchangeable with 1-0-1. Component parts are not interchangeable.	
1-20	7970-101-2400-0	• KID, JOURNAL Croisillon	2	2		
1-21	7970-101-2500-0	• YOKE, SPLINE SET Fourche	1	1		
1-22	7970-101-2510-0	• YOKE, SPLINE Fourche	1	1		
1-23	7970-101-2520-0	• PIN, LOCK Axe	1	1		
1-24	7970-101-2530-0	• SPRING Ressort	1	1		
1-25	V41316-000800	• WASHER, PL/M8 Rondelle	1	1		
1-26	V50011-250250	• PIN, SPLIT '2.5 x 25 Goupille	1	1		
1-27	7970-101-2310-0	• YOKE, SLEEVE Fourche	1	1		
1-28	7970-101-2320-0	• YOKE, DOUBLE Fourche	1	1		
1-29	7970-101-2330-0	• RING, SNAP Collet d'axe	8	8		



Ref No. Réf N°.	Parts No. Pièces N°.	Description Désignation	Model & Q'ty Modél & Quant		Remarks Remarques
			SRI200CD	SRI100CD	
2- 1	7974-203-2000-0	BRACKET, CONN Carter	1		For E10 , E11 pour E10
2- 1-1	7974-204-2000-0	BRACKET, CONN Carter	1		For E20 pour E20
2- 1-2	7970-203-2001-0	BRACKET, CONN Carter		1	For E10 , E11 pour E10
2- 1-3	7970-204-2000-0	BRACKET, CONN Carter		1	For E20 pour E20
2- 2	7970-201-0010-0	METAL, PINION Flasque	1	1	
2- 3	7970-201-0020-0	PACKING, PINION METAL Joint	1	1	
2- 4	7963-201-0030-0	PIN, KNOCK Flasque	2	2	
2- 5	7955-201-0260-0	PLUG, DRAIN/1/4 Bouchon	1	1	
2- 6	V25044-100250	BOLT, STUD/M10 × 25 9T Vis	8	8	
2- 7	V30046-001000	NUT/M10 7T Ecrou	8	8	
2- 8	V40116-001000	WASHER, SP/M10 Rondelle frein	8	8	
2- 9	7954-205-1000-0	CAP, OIL/30 Bouchon	1	1	
2-10	7970-203-0010-0	PIN, SET Rondelle	2	2	
2-11	7957-405-0030-0	PIN, HAIR/12 Attache beta	2	2	
2-12	7970-101-0040-0	COVER, JOINT (A) Capot (A)	1	1	
2-13	7970-101-0050-0	PIN/8 × 272 Gond	1	1	
2-14	1305-241-0010-0	PIN, HAIR Attache beta	1	1	
2-15	V50015-250200	PIN, SPLIT/2.5 × 20 Goupille fendue	1	1	
2-16	7970-101-0060-0	COVER, JOINT (B) Capot (B)	1	1	
2-17	V20126-080160	BOLT/M8 × 16 Vis	4	4	
2-18	V40116-000800	WASHER, SP/M8 Rondelle frein	6	6	
2-19	V41316-000800	WASHER, PL/M8 Rondelle	4	4	
2-20	7970-601-0010-0	ROD, LIFT Soutien	2	2	
2-21	7970-601-0020-0	PIPE/22 Tube	2	2	
2-22	7970-601-2000-0	PIN, LIFT ROD Goupille	2	2	
2-23	V20126-080120	BOLT/M8 × 12 Vis	2	2	
2-24	3750-411-0280-0	MARK, SERIAL NO. Etiquette	1	1	



35  
367976-205-0120-0  
7976-205-0130-0PIN, TENSIONER A  
" " B⑤ A76204090  
⑤

No. 3

Ref No. Réf N°.	Parts No. Pièces N°.	Description Désignation	Model & Qty Modél & Quant		Remarks Remarques
			SR1200CD	SR1100CD	
3-1 1a	7970-207-2000-0 7970-207-2011-0	PLATE, CHAIN CASE Plaque " "	1 1	1 1	⑤ ✓
3-2	7970-207-0010-0	PACKING, FLANGE Flasque	1	1	
3-3	V60711-063060	BEARING, RB/6306NR Roulement	1	1	
3-4	7963-201-0030-0	PIN, KNOCK Flasque	2	2	
3-5	V25026-100250	BOLT, STUD/M10 × 25 Goujon	6	6	
3-6	V40116-001000	WASHER, SP/M10 Rondelle frein	6	6	
3-7	V30026-001000	NUT/M10 Ecrou	6	6	
3-8	7974-207-0030-0	SPROCKET/11T Pignon	1		
3-8-1	7970-207-0050-0	SPROCKET/12T Pignon		1	
3-9	V70414-003000	RING, SNAP/C-TYPE 30 Collet d'axe	1	1	
3-10	7974-207-0040-0	SPROCKET/15T Pignon	1		
3-10-1	7970-207-0060-0	SPROCKET/16T Pignon		1	
3-11	V70414-003500	RING, SNAP/C-TYPE 35 Collet d'axe	1	1	
3-12	7974-207-0050-0	CHAIN, ROLLER Chaine	1		
3-12-1	7970-207-0070-0	CHAIN, ROLLER Chaine		1	
3-13 13a	7970-207-0080-0 7970-207-0081-0	TENSIONER Linguet	1 1	1 1	⑤ 110 1090 ✓
3-14 14a	V50015-250200 V500-153-0020-0	PIN, SPLIT/2.5 × 20 Goupille fendue 3x20	1 1	1 1	⑤ 22 22 ✓
3-15	7970-207-2300-1	COVER, CHAIN CASE Carter	1	1	
3-16	7970-207-0090-0	PACKING, CHAIN CASE Joint	1	1	
3-17	<del>7970-207-0090-0</del> 7955-201-0260-0	PLUG, DRAIN/1/4 Bouchon	1	1	④ A76211450
3-18	1326-706-0020-0	PLUG, DRAIN Bouchon	1	1	
3-19	V20126-080120	BOLT/M8 × 12 Vis	7	7	
3-20	V20126-080160	BOLT/M8 × 16 Vis	15	15	
3-21	V20126-080300	BOLT/M8 × 30 Vis	2	2	
3-22	V40116-000800	WASHER, SP/M8 Rondelle frein	30	30	
3-23	7970-207-2201-0	COVER, GUARD Carter	1	1	
3-24	7974-207-0010-0	METAL, UNDER Flasque	1		
3-24-1	7970-207-0020-0	METAL, UNDER		1	E10, E20 用
3-25	7970-207-0030-0	Flasque PACKING, UNDER METAL Joint	1	1	
3-26	1342-715-0040-0	SEAL, W:JIG Bague	1	1	
3-27	V60011-063070	BEARING, RB/6307 Roulement	1	1	
3-28	V70514-008000	RING, SNAP/C-TYPE 80 Collet d'axe	1	1	
3-29	7963-205-0030-0	BOLT, STUD/M8 × 19 Goujon	6	6	
3-30	V30026-000800	NUT/M8 Ecrou	6	6	
3-31	7970-207-2101-0	SHAFT, UNDER LH	1	1	E10, E20 用
3-32	V20126-100300	Arbre ga BOLT/M10 × 30 Vis	3	3	
3-33	V40116-001000	WASHER, SP/M10 Rondelle frein	3	3	
3-34	7963-201-0090-0	WASHER Rondelle	1	1	

3-24 7970-209-0010-0 METAL, UNDER /

E11 用

7974-209-0010-0

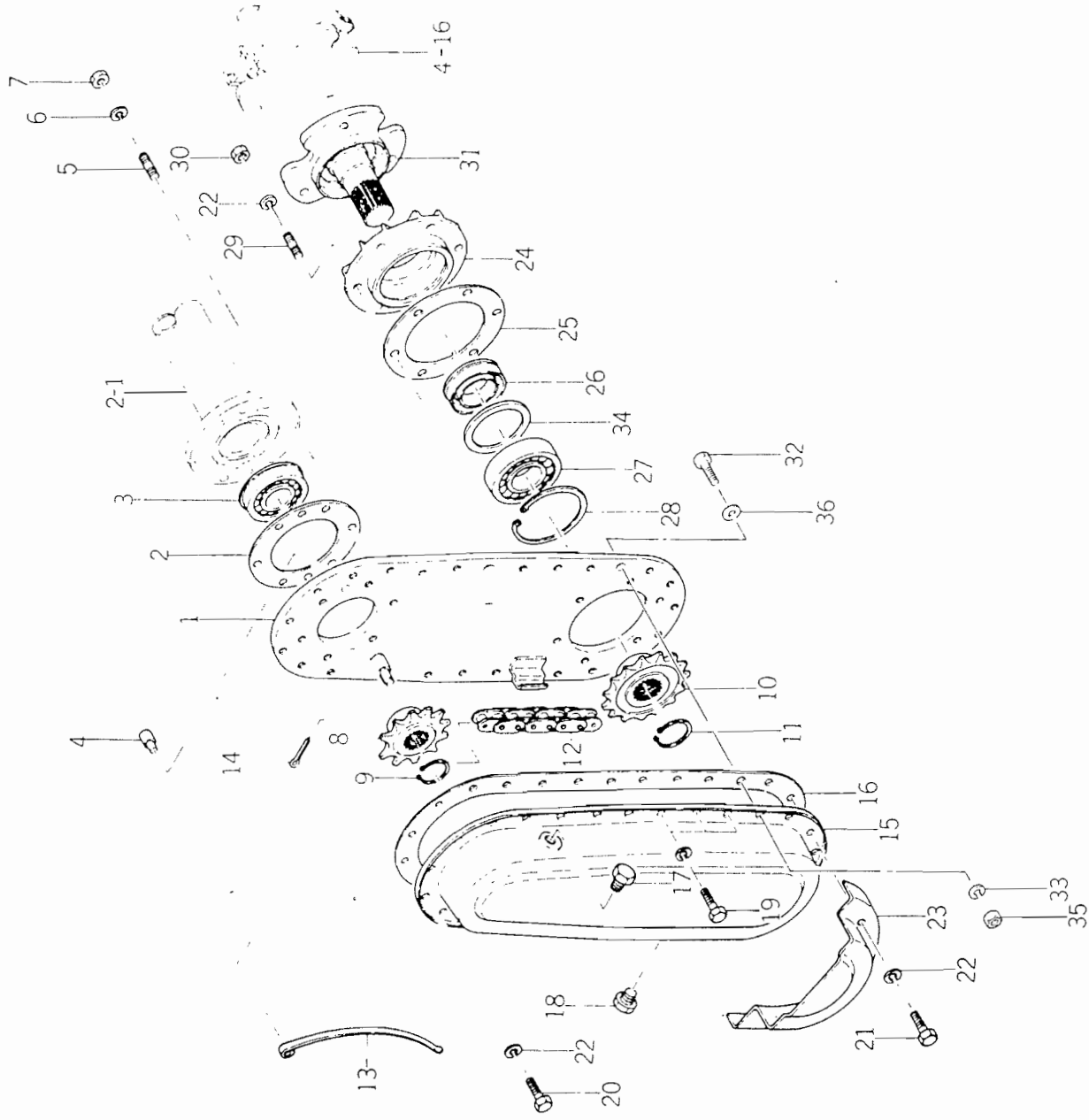
E11 用

6



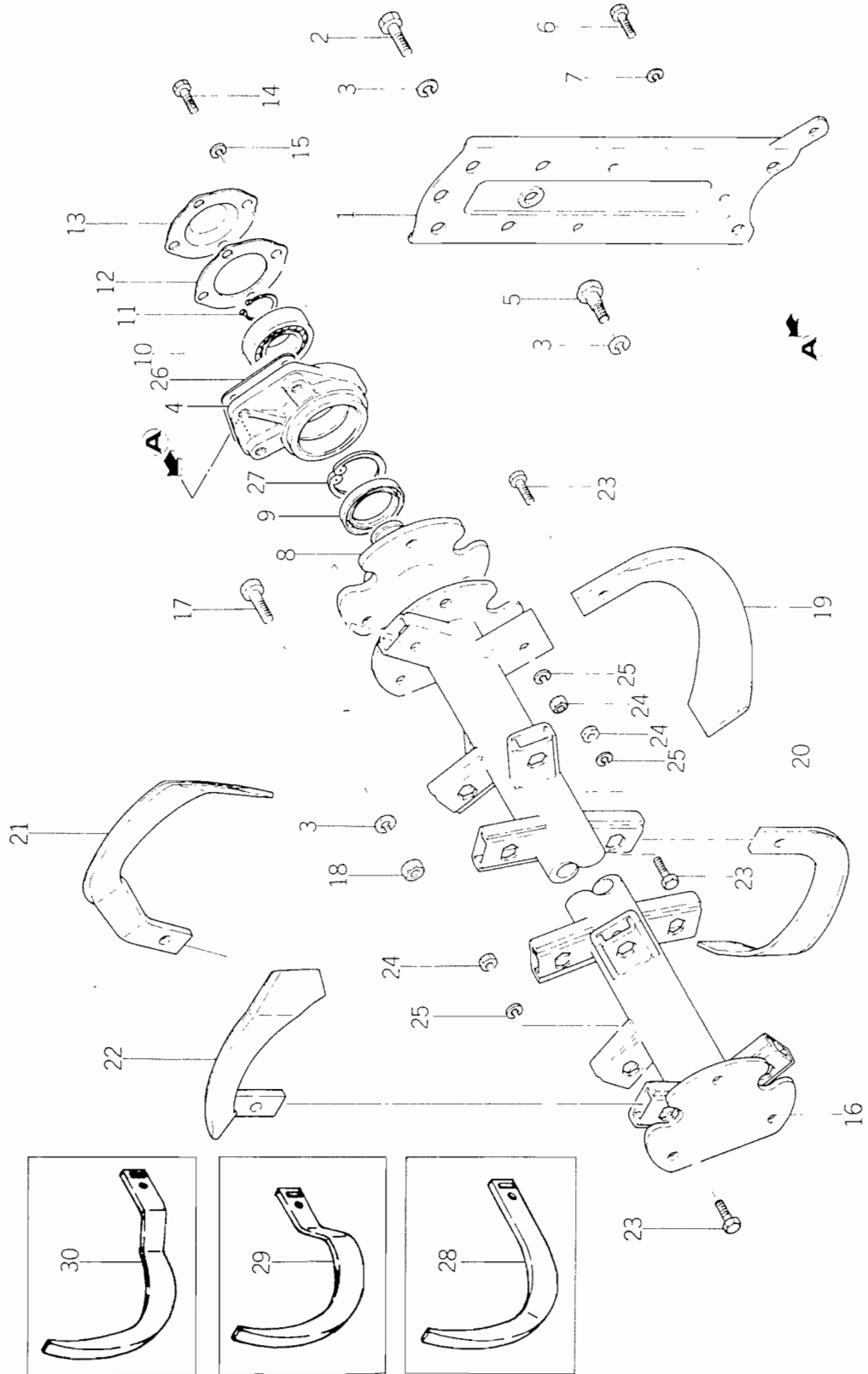
Fig. 3 Rotary Chain Case System  
Carter de chaîne

Re:  
Ré:  
3.  
3.



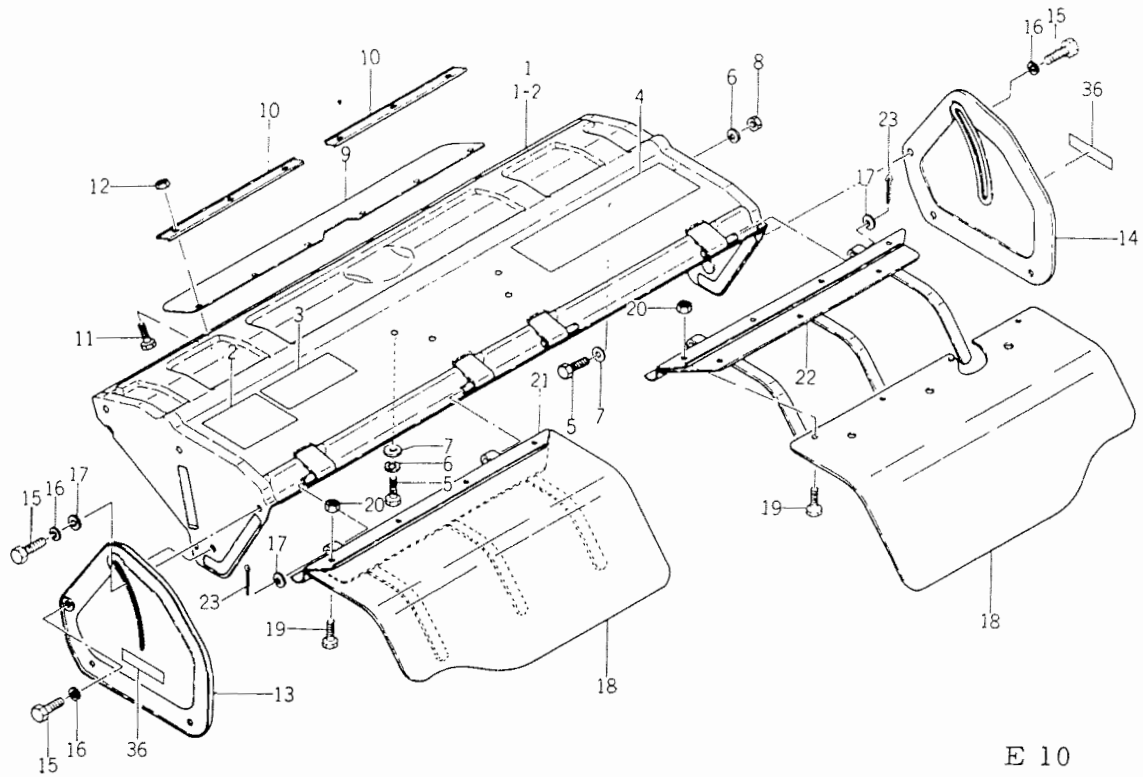
Ref No. Réf N°	Parts No. Pièces N°	Description Désignation	Model & Q'ty Modél & Quant		Remarks Remarques
			SR1200CD	SR1100CD	
3-35	V30026-001000	NUT/M10 Ecrou	3	3	
3-36	V41316-001000	WASHER, PL/M10 Rondelle	3	3	

Fig. 4 Rotary Pipe Rotor

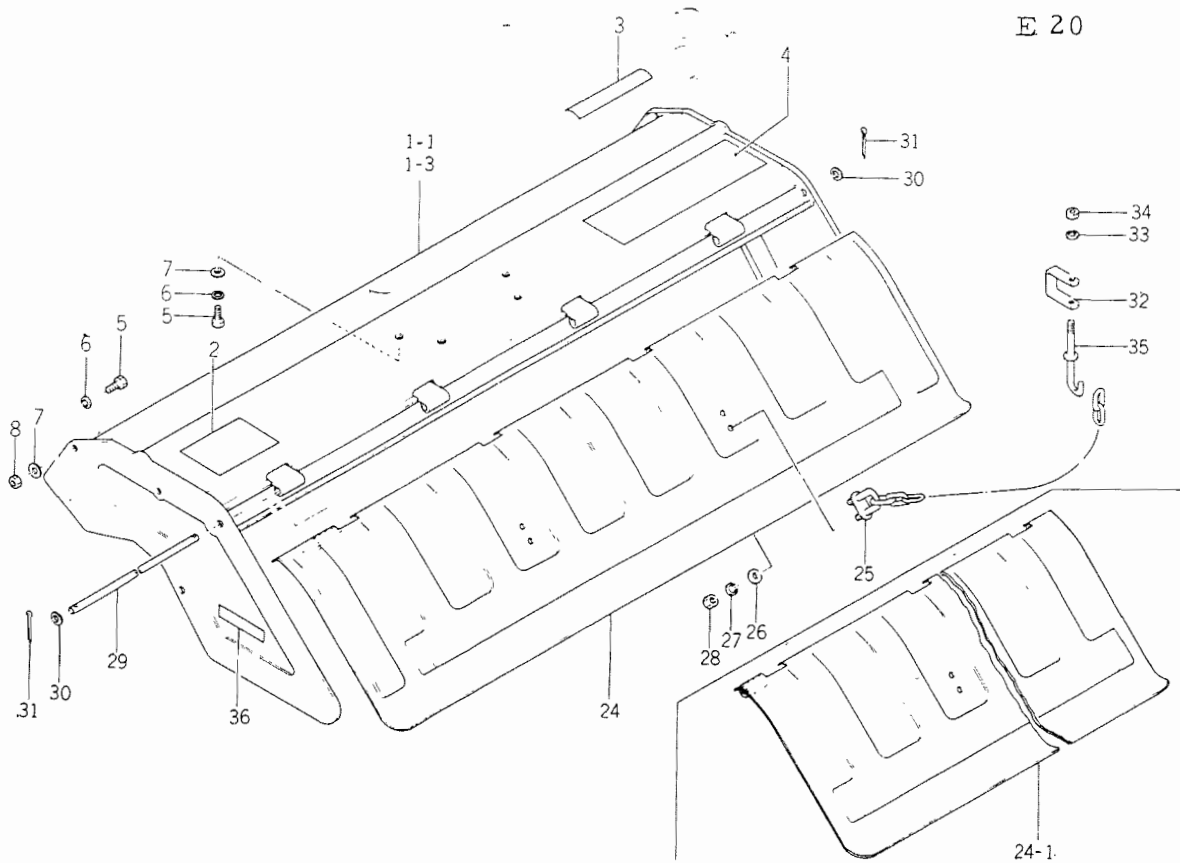


Ref No. Réf No.	Parts No. Pièces No.	Description Désignation	Model & Q'ty Modél & Quant		Remarks Remarques
			SR1200CD	SR1100CD	
4- 1	7974-213-2000-0	PLATE, SIDE Plaque	1		
4- 1-1	7970-213-2000-0	PLATE, SIDE Plaque		1	
4- 2	V20126-120200	BOLT/M12 × 20 Vis	6	6	
4- 3	V40116-001200	WASHER SP/M12 Rondelle frein	14	14	
4- 4	7970-213-0011-0	METAL, SIDE BEARING	1	1	E10, 20 用
4-1	7970-215-0010-0	Flasque //	1	1	E11 用
4- 5	7970-213-0020-0	BOLT, KNOCK Vis	2	2	
4- 6	V20126-100200	BOLT/M10 × 20 Vis	1	1	
4- 7	V40116-001000	WASHER, SP/M10 Rondelle frein	1	1	
4- 8	7970-213-2101-0	SHAFT, UNDER RH	1	1	E10, 20 用
8-1	7970-215-2000-0	Arbre dr //	1	1	E11 用
4- 9	1365-709-0010-0	SEAL, OIL/AO7014E Bague d'etancheite	1	1	
4-10	V60011-062060	BEARING, RB/6206 Roulement	1	1	
4-11	V70414-003000	RING, SNAP/C-TYPE 30 Collet d'axe	1	1	
4-12	7970-213-0040-0	PACKING, CAP Joint	1	1	
4-13	7970-213-0030-0	CAP, METAL Embout	1	1	
4-14	V20126-080160	BOLT/M8 × 16 Vis	4	4	
4-15	V40116-000800	WASHER, SP/M8 Rondelle frein	4	4	
4-16	7974-305-2000-0	PIPE, ROTARY Tube de fraise	1		
4-16-1	7970-305-2000-0	PIPE, ROTARY Tube de fraise		1	
4-17	7970-305-0011-0	BOLT/M12 × 32 S=16 Vis	6	6	
4-18	V30026-001200	NUT/M12 Ecrou	3	3	
4- 0-1	7974-305-2100-0	BLADE, TILLING ASSY Hoyau	1		
4- 0-2	7970-305-2100-0	BLADE, TILLING ASSY Hoyau		1	
4-19	7970-305-0020-0	• BLADE, LH/C138 Hoyau	13	11	Sales unit 20 vente unite 20
4-20	7970-305-0030-0	• BLADE, RH/C138 Hoyau	13	11	Sales unit 20 vente unite 20
4-21	7970-305-0040-0	• BLADE, LH/C139 Hoyau	1	1	Sales unit 10 vente unite 10
4-22	7970-305-0050-0	• BLADE, RH/C139 Hoyau	1	1	Sales unit 10 vente unite 10
4-23	7970-305-0060-0	BOLT/M10 × 28 9T Vis	28	24	
4-24	V30046-001000	NUT/M10 × 7T Ecrou	28	24	
4-25	V40116-001000	WASHER, SP/M10 Rondelle frein	28	24	
4-26	7970-213-0050-0	SHIM, METAL Cales d'epaisseur	AR	AR	For adjusting Regulage
4-27	V70514-006200	RING, SNAP/C-TYPE 62 Collet d'axe	1	1	
4- 0-3	7974-030-2000-0	BLADE, ANGLE (28) SET Hoyau	1		*
4- 0-4	7970-030-2000-0	BLADE, ANGLE (24) SET Hoyau		1	*
4-28	1323-716-0110-0	• BLADE/K21 Hoyau	22	26	* Sales unit 20 vente unite 20
4-29	1323-716-0120-0	• BLADE, LH/K22 Hoyau	1	1	* Sales unit 10 vente unite 10
4-30	1323-716-0130-0	• BLADE, RH/K22 Hoyau	1	1	* Sales unit 10 vente unite 10
-31	7970-305-2400-0	BOLT (M12x32) set	6	6	(A) AT 2403330

Fig. 5 Rotary Cover Enveloppe



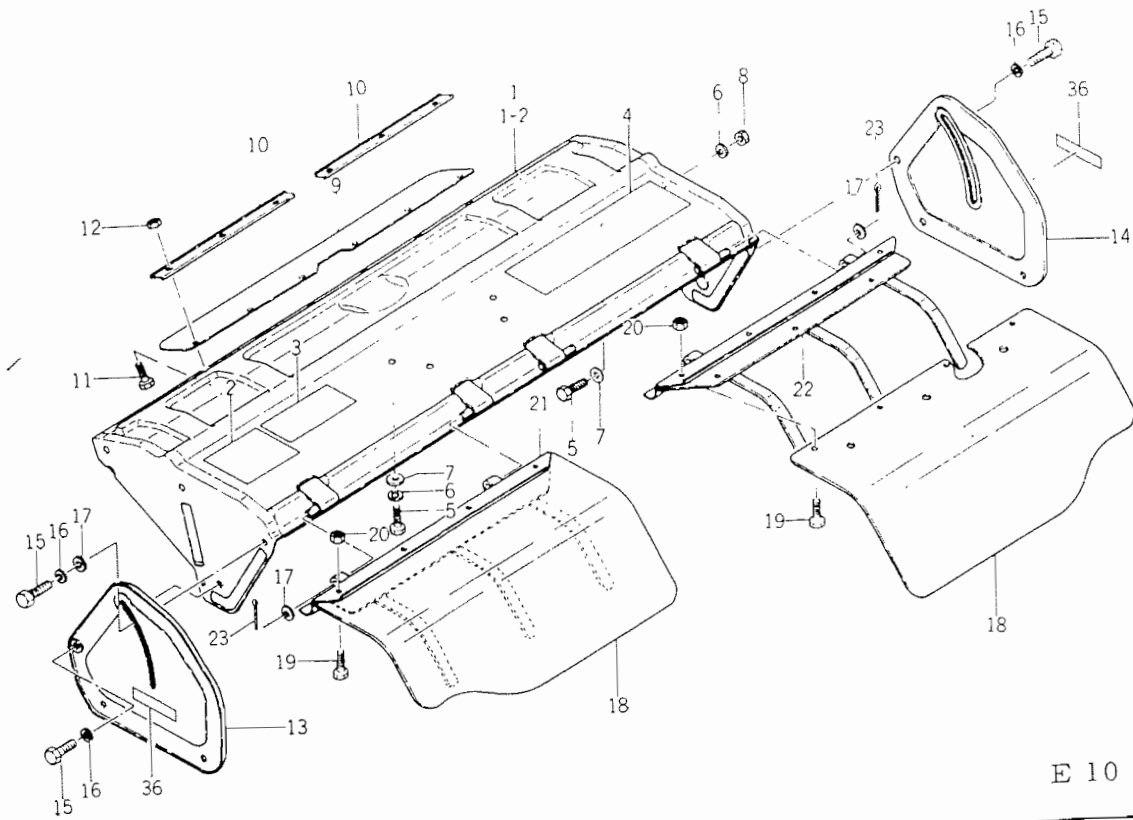
E 10



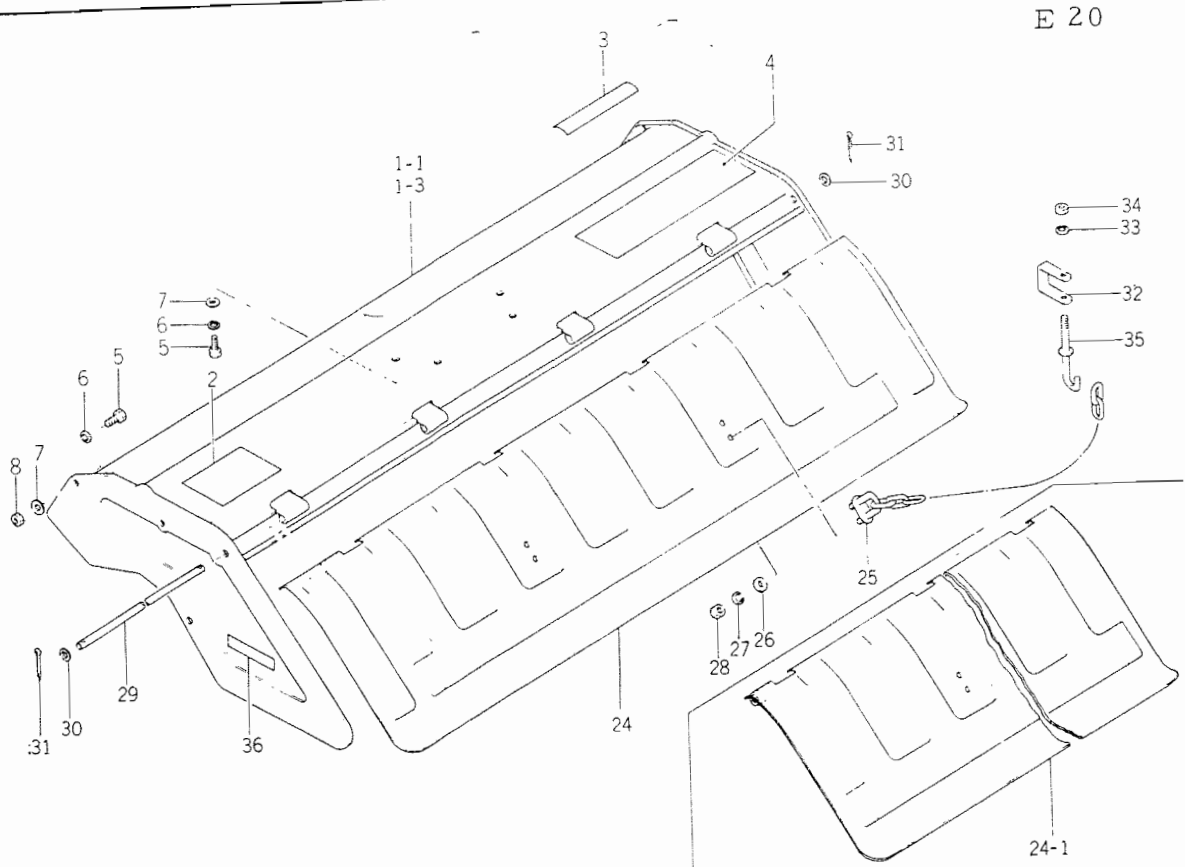
E 20

Ref No. Réf No.	Parts No. Pièces No.	Description Désignation	Model & Q'ty Modél & Quant		Remarks Remarques
			SR1200CD	SR1100CD	
5- 1	7974-401-2000-1	COVER, ROTARY Capot	1		For E10 , E11 pour E10 , E11
5- 1-1	7974-402-2000-1	COVER, ROTARY Capot	1		For E20 pour E20
5- 1-2	7970-401-2001-1	COVER, ROTARY Capot		1	For E10 , E11 pour E10 , E11
5- 1-3	7970-402-2000-1	COVER, ROTARY Capot		1	For E20 pour E20
5- 2	7974-904-0010-0	MARK, ARRENGEMENT Etiquette	1		
5- 2-1	7970-904-0020-0	MARK, ARRENGEMENT Etiquette		1	
5- 3	7970-904-0010-0	MARK, ROTARY OIL Etiquette	1	1	
5- 4	7974-903-0010-0	MARK, ROTARY Etiquette	1		
5- 4-1	7970-903-0010-0	MARK, ROTARY Etiquette		1	
5- 5	V20126-100200	BOLT/M10 × 20 Vis	7	7	
5- 6	V40116-001000	WASHER, SP/M10 Rondelle frein	7	7	
5- 7	V41316-001000	WASHER, PL/M10 Rondelle	7	7	Q'ty 3 ... E20 Quant 3 ... E20
5- 8	V30026-001000	NUT/M10 Ecrou	3	3	
5- 9	7970-401-0010-0	GUARD, MUD (A) Bavette (A)	1	1	
5-10	7970-401-0021-0	PLATE, GUARD Plaque	2	2	
5-11	V20126-080160	BOLT/M8 × 16 Vis	6	6	
5-12	V30026-000800	NUT/M8 Ecrou	6	6	
5-13	7970-401-2200-0	COVER, SUB SIDE LH Bavolet aux ga	1	1	
5-14	7970-401-2300-0	COVER, SUB SIDE RH Bavolet aux dr	1	1	
5-15	V20126-100200	BOLT/M10 × 20 Vis	4	4	
5-16	V40116-001000	WASHER, SP/M10 Rondelle frein	4	4	
5-17	V41316-001000	WASHER, PL/M10 Rondelle	4	4	
5-18	7974-405-0010-0	GUARD, MUD (B) Bavette (B)	2		For E10 , E11 pour E10 , E11
5-18-1	7970-405-0010-0	GUARD, MUD (B) Bavette (B)		2	
5-19	V20126-080160	BOLT/M8 × 16 Vis	8	8	
5-20	V30026-000800	NUT/M8 Ecrou	8	8	
5-21	7974-405-2000-0	FORK, R LH Fourche ga	1		
5-21-1	7970-405-2000-0	FORK, R LH Fourche ga		1	
5-22	7974-405-2100-0	FORK, R RH Fourche dr	1		
5-22-1	7970-405-2100-0	FORK, R RH Fourche dr		1	
5-23	V50015-250200	PIN, SPLIT/2.5 × 20 Goupille fendue	2	2	
5-24	7974-406-2001-1	PLATE, R Plaque	1		
5-24-1	7970-406-2000-1	PLATE, R Plaque		1	
5-25	7970-406-2100-0	CHAIN, HANGER Chaine	2	2	
5-26	V41316-000800	WASHER, PL/M8 Rondelle	4	4	For E20 pour E20
5-27	V40116-000800	WASHER, SP/M8 Rondelle frein	4	4	
5-28	V30026-000800	NUT/M8 Ecrou	4	4	
5-29	7974-406-0010-0	PIN, ST/1270 Goupille	1		

Fig. 5 Rotary Cover  
Enveloppe



E 10



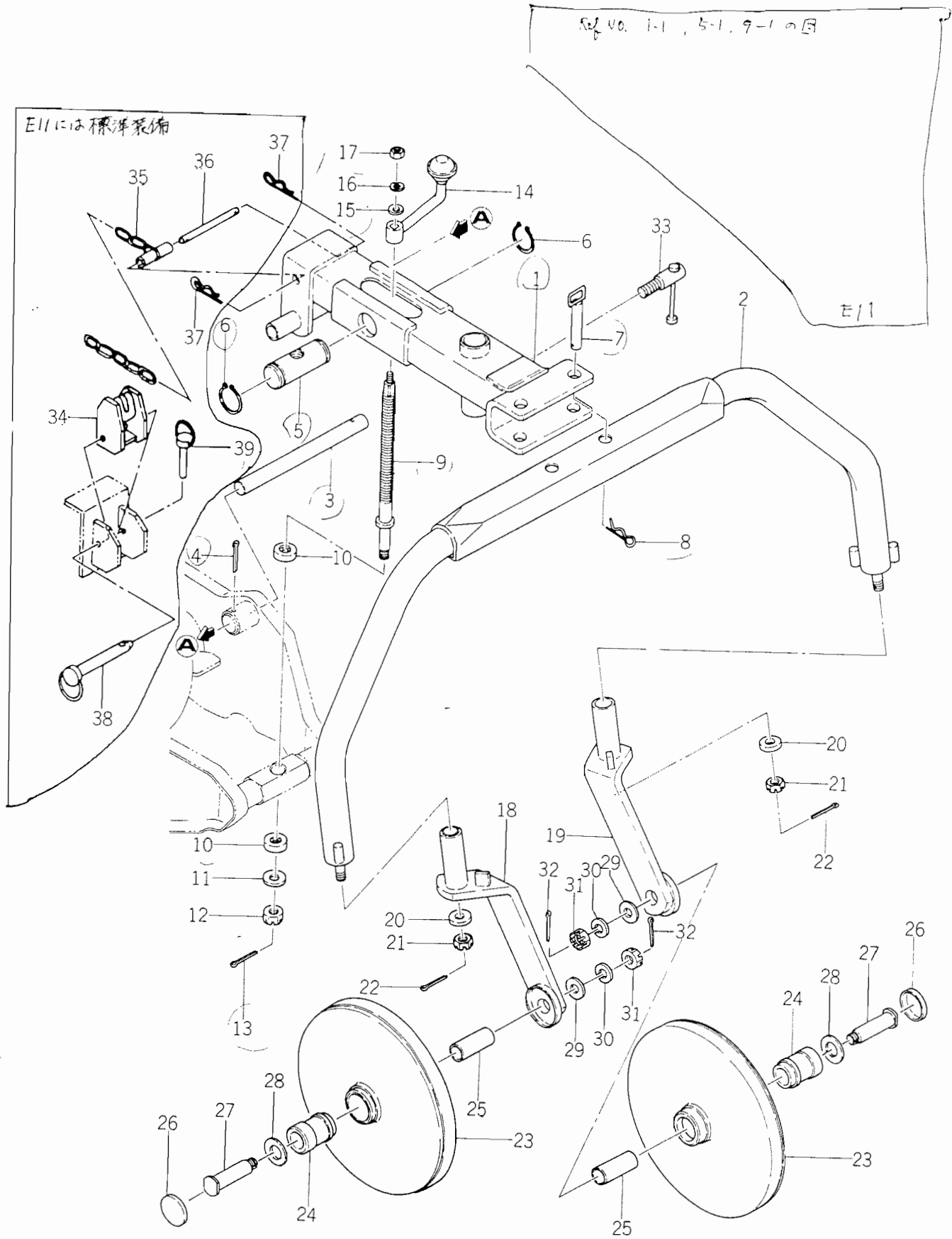
E 20

Ref No. Réf N°.	Parts No. Pièces N°.	Description Désignation	Model & Q'ty Modél & Quant		Remarks Remarques
			SR1200CD	SR1100CD	
5-29-1	7970-406-0010-0	PIN, ST/1120 Goupille		1	} For E20 pour E20
5-30	V41316-001000	WASHER, PL/M10 Rondelle	2	2	
5-31	V50015-300200	PIN, SPLIT/3 × 20 Goupille fendue	2	2	
5-32	7970-406-0031-0	PLATE, SET Barrette	2	2	
5-33	V40116-000800	WASHER, SP/M8 Rondelle frein	2	2	
5-34	V30026-000800	NUT/M8 Ecrou	2	2	
5-35	7970-406-2200-0	HOOK, BOLT Vis	2	2	
5-36	1326-953-0070-0	MARK, ISEKI Etiquette	2	2	



Fig. 6

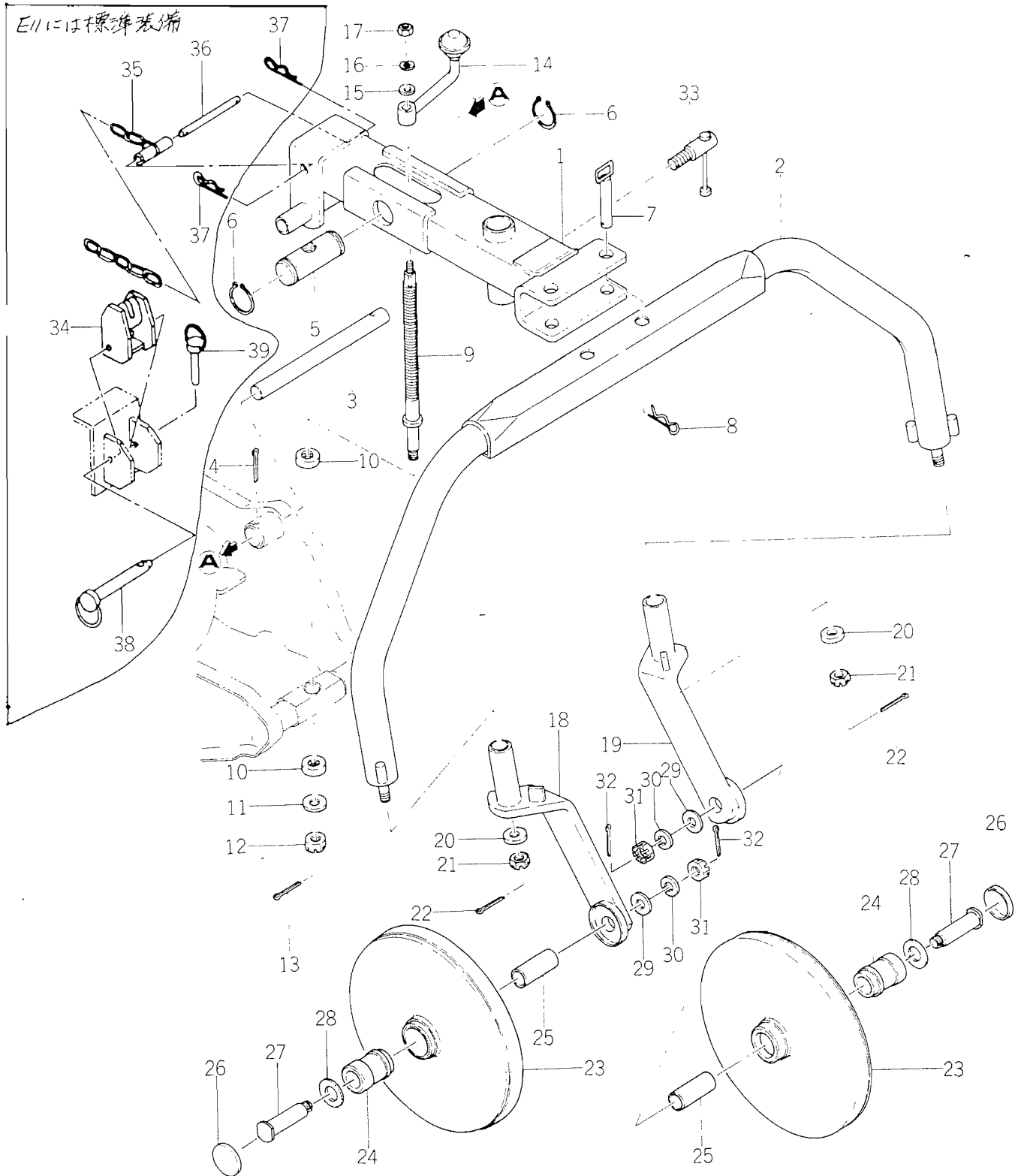
Gauge Pipe  
Sulky



Ref No. Réf No.	Parts No. Pièces No.	Description Désignation	Model & Qty Modél & Quant		Remarks Remarques
			SR1 200CD	SR1 100CD	
6-1	7970-501-2000-2	HOLDER, GAUGE	1	1	E10, 20用
1-1	7970-504-2000	Attache	1	1	E11用
6-2	7974-505-2002-1	PIPE, GAUGE	1		} E10, 20用.
		Tube			
6-2-1	7970-505-2002-1	PIPE, GAUGE		1	
		Tube			
6-3	7970-501-0010-0	PIN, HOLDER	1	1	
		Axe			
6-4	V50015-400400	PIN, SPLIT/4×40	1	1	
		Goupille fendue			
6-5	7970-501-0030-0	BOSS, ADJ	1	1	E10, 20用
		Axe	1	1	E11用
5-1	7970-504-0010-0	RING, SNAP/C-TYPE 32	1	1	
6-6	V70414-003200	Collet d'axe	2	2	
6-7	8482-003-3500-0	PIN, SET	2	2	
		Goupille			
6-8	1416-509-0070-0	PIN, HAIR	2	2	
		Attache beta			
6-9	7970-501-2201-0	SCREW, ADJ	1	1	E10, 20用
9-1	7970-504-2100-0	Vis d'ajustage	1	1	E11用
6-10	7970-501-0020-0	BEARING, TB/15JAG11	2	2	
		Roulement			
6-11	V41316-001200	WASHER, PL/M12	1	1	
		Rondelle			
6-12	V32126-001200	NUT, SLOTTED/M12	1	1	
		Ecrou			
6-13	V50015-300250	PIN, SPLIT/3×25	1	1	
		Goupille fendue			
6-14	7970-501-2300-0	HANDLE, ADJ	1	1	
		Poignee			
6-15	V41316-000800	WASHER, PL/M8	1	1	
		Rondelle			
6-16	V40116-000800	WASHER, SP/M8	1	1	
		Rondelle frein			
6-17	V30026-000800	NUT/M8	1	1	
		Ecrou			
6-18	7970-505-2101-0	FORK, LH	1	1	
		Fourche ga			
6-19	7970-505-2201-0	FORK, RH	1	1	
		Fourche dr			
6-20	1407-601-4050-0	BOSS/13×30×5	2	2	
		Rondelle			
6-21	V32126-001200	NUT, SLOTTED/M12	2	2	
		Ecrou			
6-22	V50015-300250	PIN, SPLIT/3×25	2	2	
		Goupille fendue			
6-23	7970-505-2300-2	WHEEL, GAUGE	2	2	} E10, 20用
		Roue			
6-24	7970-505-0010-0	BUSH/28×40×55	2	2	
		Coussinet			
6-25	7970-505-0020-0	PIPE/56	2	2	
		Tube			
6-26	1427-152-0020-0	CAP, SEAL	2	2	
	<del>7970-505-0040-0</del>	Bouchon			
6-27	7970-505-0060-0	PIN, WHEEL	2	2	
		Goupille			
6-28	7970-505-0050-0	WASHER/21×38×3	2	2	
		Rondelle			
6-29	V41316-001200	WASHER, PL/M12	2	2	
		Rondelle			
6-30	V40116-001200	WASHER, SP/M12	2	2	
		Rondelle frein			
6-31	V32126-001200	NUT, SLOTTED/M12	2	2	
		Ecrou			
6-32	V50015-300250	PIN, SPLIT/3×25	2	2	
		Goupille fendue			
6-33	1370-722-1000-0	HANDLE, SLEEVE	1	1	
		Poignee			
6-34	7970-610-0000-0	POSITION MECH ASSY	1	1	*
		Attelage			
6-35	7970-610-2100-0	• CHAIN	1	1	*
		• Chaîne			
6-36	7970-610-0010-0	• PIN/101	1	1	*
		• Goupille			

E11には標準装備

Fig. 6 Gauge Pipe Sulky



Ref No. Réf N°.	Parts No. Pièces N°.	Description Désignation	Model & Q'ty Modél & Quant		Remarks Remarques	
			SR1200CD	SR1100CD		
6-37	7957-405-0030-0	• PIN, HAIR/12 Attache beta	2	2	* } E11に12種装備	
6-38	1402-500-9040-0	• PIN, LINK SHORT ASSY Goupille	1	1		
6-39	1402-500-9010-0 7974-506-2000-0	• PIN, LINK LARGE ASSY Goupille PIPE, GAUGE	1	1		
	7970-506-2000-0	PIPE, GAUGE		1	}	
	7970-506-2100-0	FÖRK, LH		1		
	7970-506-2200-0	FÖRK, RH		1		
	7970-506-0010-0	BÖLT, SET		2		
	V40116-001200	WASHER, SP/M12		2		
	V72010-350250	O-RING/P25		2		
	7970-506-2300-0	WHEEL, GAUGE		2		
	7970-505-0060-0	P.N, WHEEL		2		
	V60011-060040	BEARING, RB/6004		4		
	7970-506-0020-0	CÖLLAR/ 22x27x22		2		} E11 用
	3740-124-0030-0	SHUTTER, ÖIL/20		2		
	V74413-042080	SEAL, ÖIL/TC30428		2		
	7963-505-0020-0	SEAL/A2		2		
	V41316-001200	WASHER/M12		2		
	V40116-001200	WASHER, SP/M12		2		
	V32126-001200	NUT, SLOTTED/M12		2		
	V50015-300250	P.N, SPLIT/3x25		2		
	V70514-004200	RING, SNAP/c 42		4		