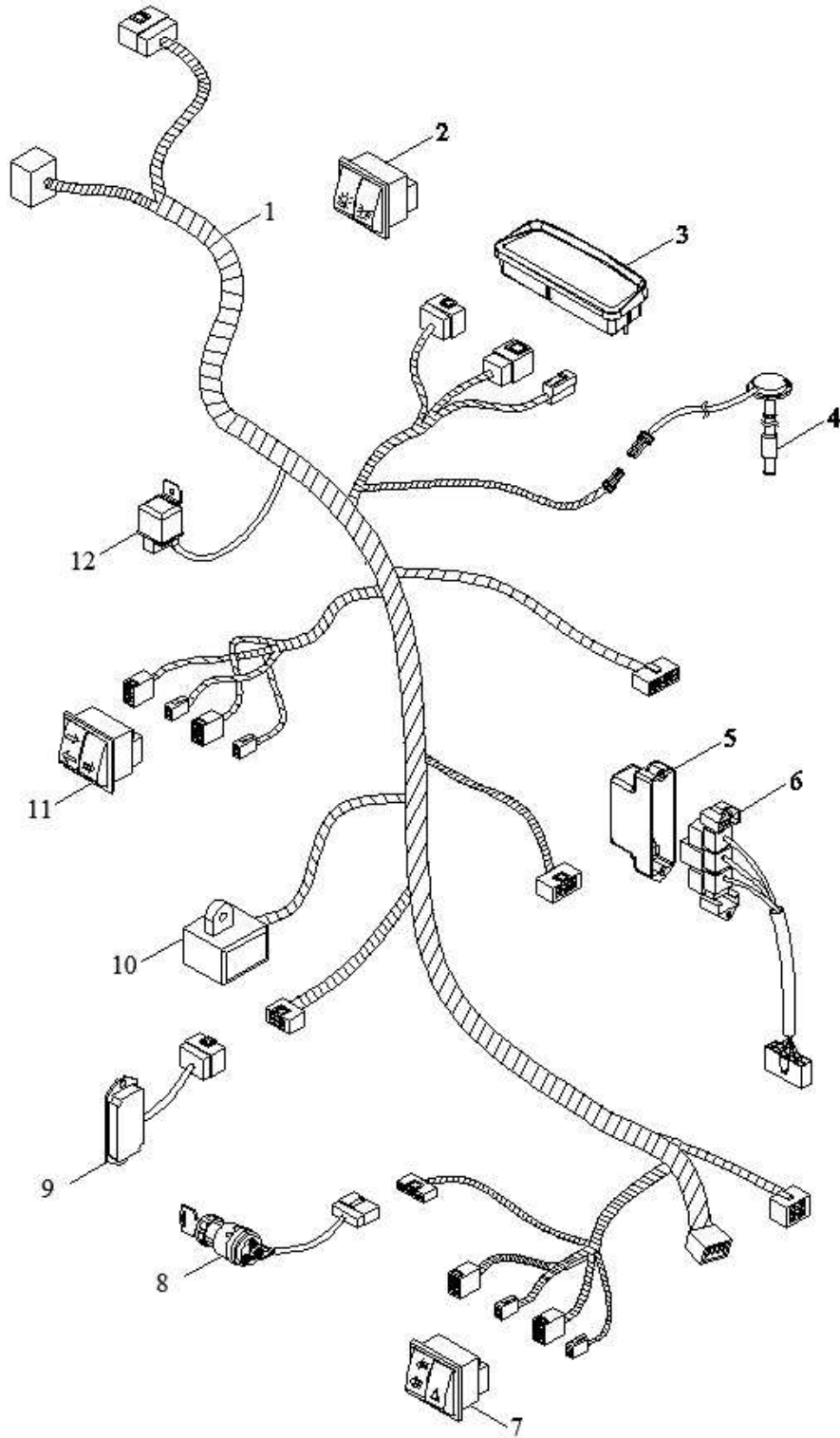


RD254.48B.001 Electrical Equipment Installation Drawing-1

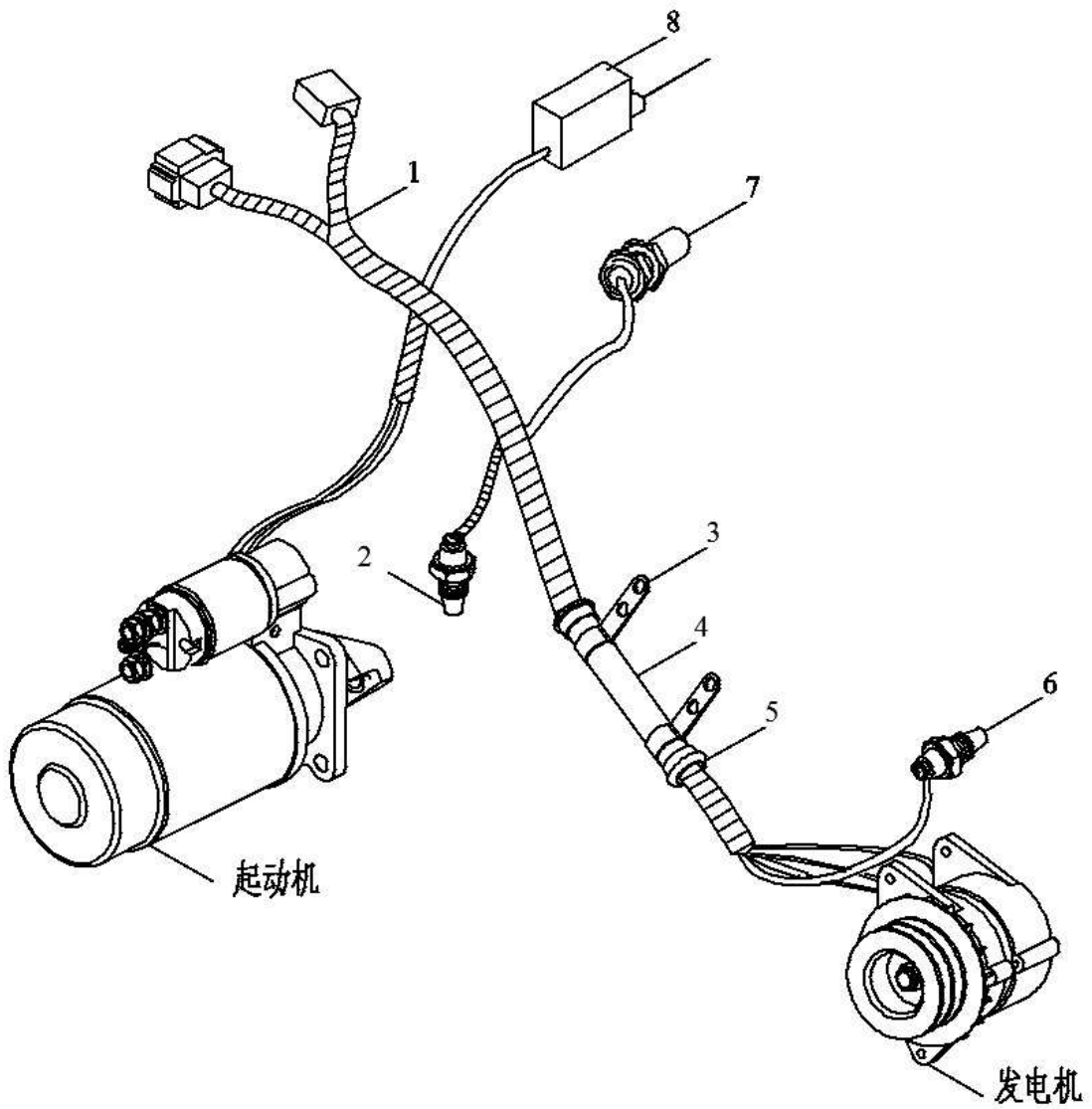


RD254.48B.001 Electrical Equipment Installation Drawing-1

S/N	Code and Specification of Part	Parts Name	Quantity	Remark
1	RD254.48B.020	Body wire harness	1	
2	RD254.48B.019A	Upper rocker switch	2	
3	RD250.48S.063	Combination instrument	2	
4	D250.48.046	Oil Measurement Sensor	2	
5	D250.482A-02	Relay box cover	1	
6	D250.482A.2	Relay box	1	
7	D250.48.013A	Right rocker switch	1	
8	RC800.48.031	Ignition Key	1	
9	RD250.48D.056	Voltage regulator	1	
10	FD250.48E.042	Fuze Box	1	
11	RD254.48D.012A	Left rocker switch	1	
12	RC300.48.055	Starting relay	1	

DETANK

RD254.48B.001 Electrical Equipment Installation Drawing-2

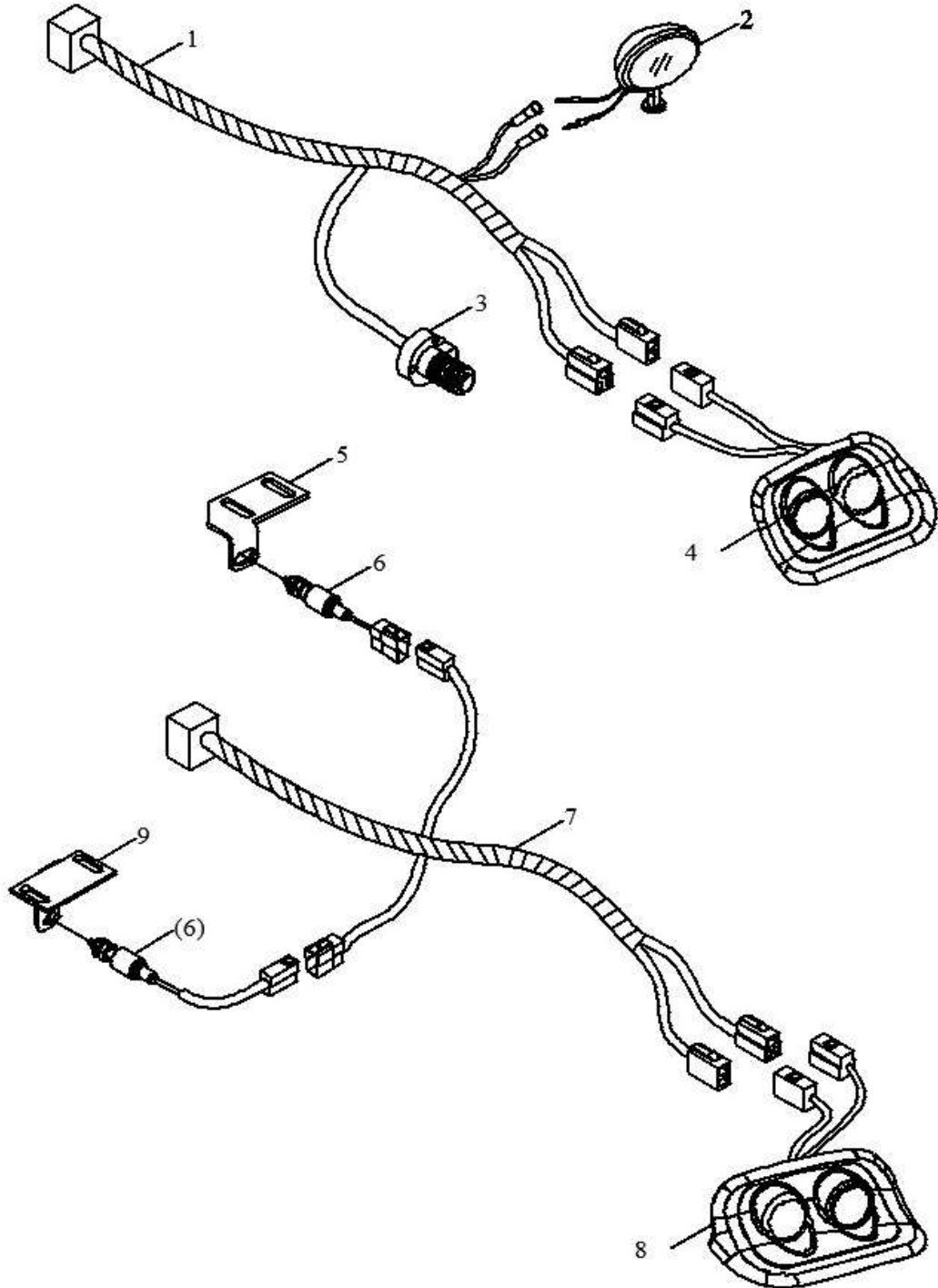


RD254.48B.001 Electrical Equipment Installation Drawing-2

S/N	Code and Specification of Part	Parts Name	Quantity	Remark
1	RD250.48G.024 I	Engine wire harness assembly	1	Electrical flameout model
	RD250.48E.024	Engine wire harness assembly	1	Not Electrical flameout model
2	FD250.48.036	Engine oil pressure sensor	1	
3	D250.48.203-3	Steel Pipe Attaching Clamp	2	
4	RC300.48P.102	Electric Wire Conduit	1	
5	RC800.48.107	Protective Wire Sleeve	2	
6	RC300.48.072	Water Temperature Sender Gauge	1	
7	RC800.48.132	Revolution Speed Sensor	1	
8	RK504.48B.055 I	Electrical Flameout Controller	1	Electrical flameout model

DETANK

RD254.48B.001 Electrical Equipment Installation Drawing-3

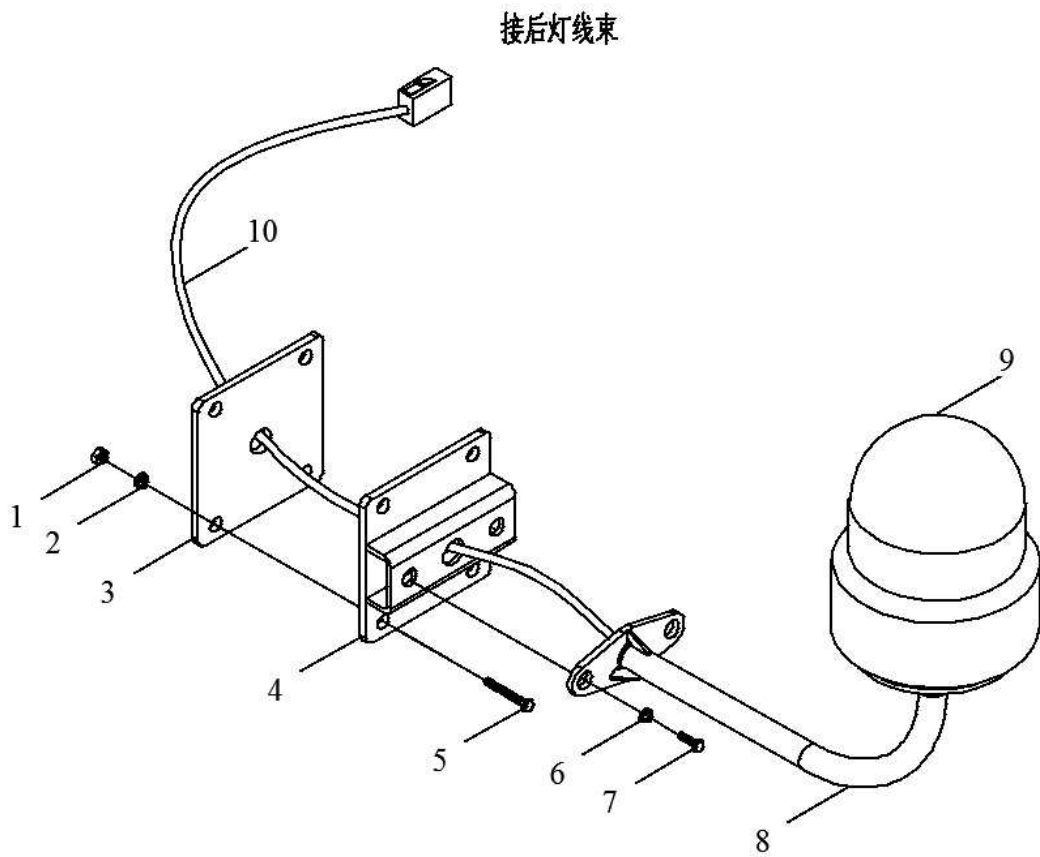


RD254.48B.001 Electrical Equipment Installation Drawing-3

S/N	Code and Specification of Part	Parts Name	Quantity	Remark
1	RD250.48S.022	Right wiring harness	1	
2	FD250.48.025	Rear Working Lamp	1	
3	DJ101	Seven-Hole Trailer Cable Socket	1	
4	D250.48.053	Right and rear lights	1	
5	D250.48C.063	Safety switch bracket	1	
6	RC300.48.033	Brake lamp switch	2	
7	RD254.48B.027	Left back light wire harness assembly	1	
8	D250.48.052	Left back light assembly	1	
9	FD250.48.134a	Brake switch mounting plate	1	

DETANK

RD254.48B.001 Electrical Equipment Installation Drawing-4

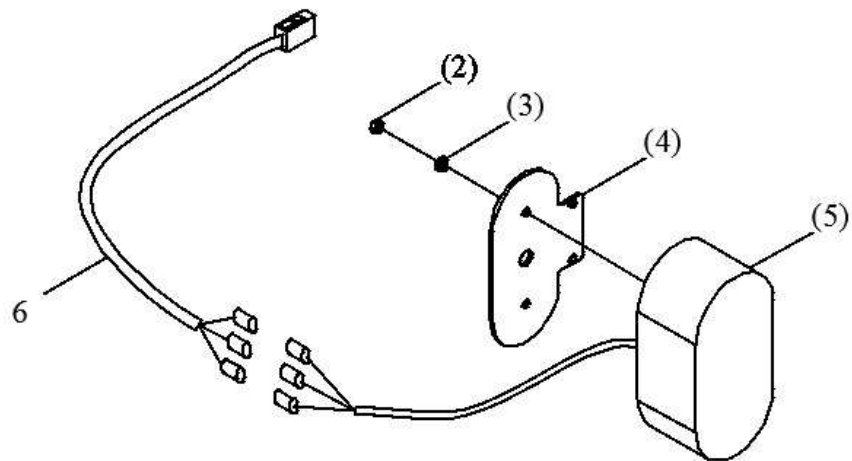
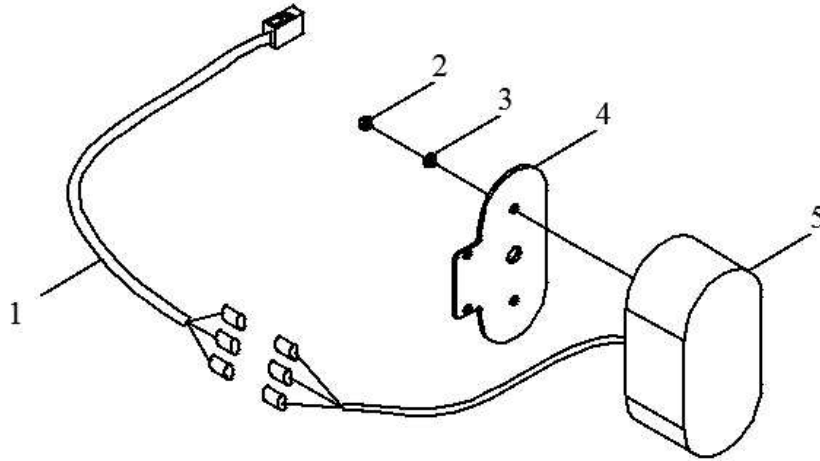


RD254.48B.001 Electrical Equipment Installation Drawing-4

S/N	Code and Specification of Part	Parts Name	Quantity	Remark
1	GB/T6170	nut M8	4	
2	GB/T93	Washer8	4	
3	RK404. 48B. 160	Warning lights Supporting and fixing plate	1	
4	RK404. 48B. 061	Warning lights Support and mounting Welding	1	
5	GB/T5783	Bolt M8*110	4	
6	GB/T93	Washer 10	2	
7	GB/T5783	Bolt M10*20	2	
8	RD250. 48B. 016A	Warning light Support frame assembly	1	
9	RD250. 48B. 015	Rotating warning lamp assembly	1	
10	RK404. 48B. 060	Warning light wiring harness assembly	1	

DETANK

RD254.48B.001 Electrical Equipment Installation Drawing-5

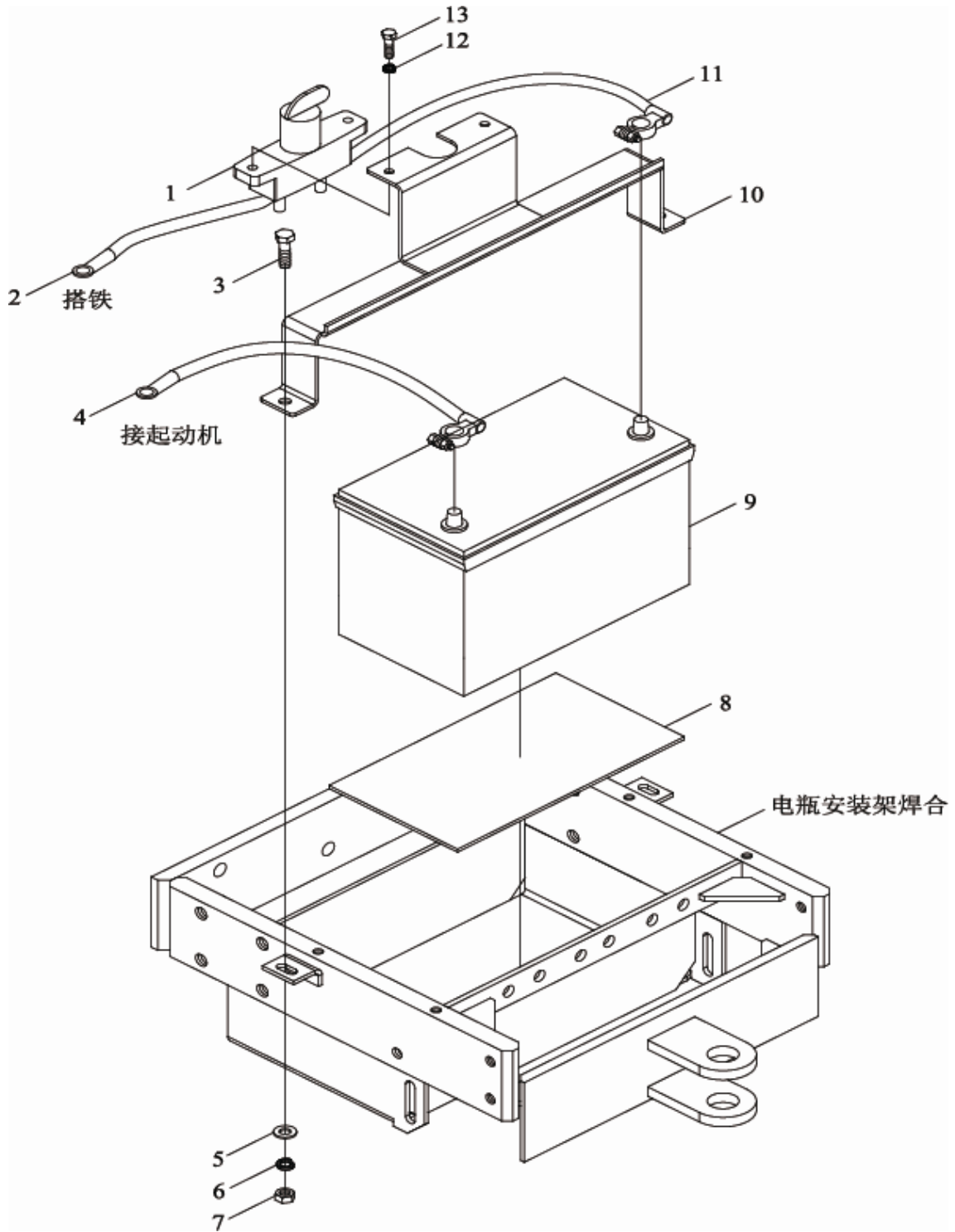


RD254.48B.001 Electrical Equipment Installation Drawing-5

S/N	Code and Specification of Part	Parts Name	Quantity	Remark
1	RC800.48.027A	Left Arm Lamp Harness	1	
2	GB/T6170	Nut M6	4	
3	GB/T93	Washer 6	4	
4	RK754.48.201	Armrest Lamp fixing plate	2	
5	RK754.48.022	Armrest Lamp	2	
6	RC800.48.028A	Right Armrest Lamp Harness	1	

DETANK

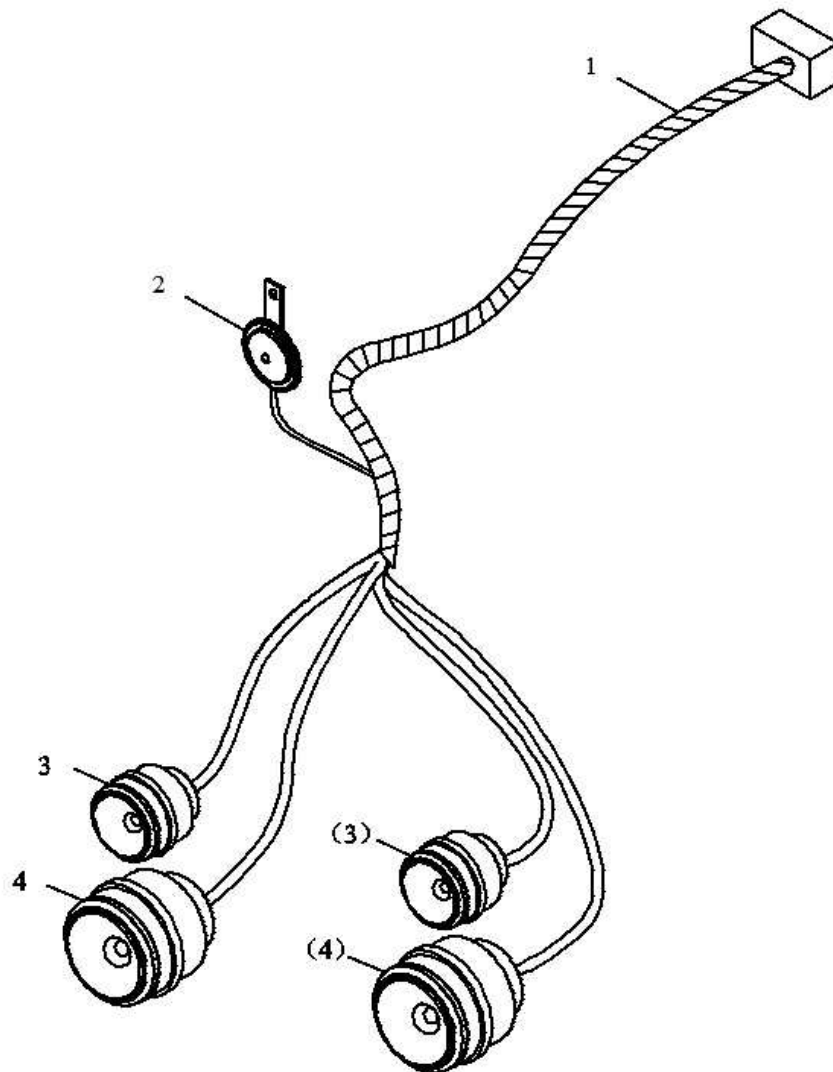
RD254.48B.001 Electrical Equipment Installation Drawing-6



RD254.48B.001 Electrical Equipment Installation Drawing-6

S/N	Code and Specification of Part	Parts Name	Quantity	Remark
1	RC800.48.091	Power switch	1	
2	D250.48.038	Power switch Cable Assembly	1	
3	GB/T 5783	Bolt M8×25-A2L	2	
4	RD250.48.025	Battery positive cable assembly	1	
5	GB/T 97.1	Washer 8-A0P	2	
6	GB/T 93	Washer 8-A0P	2	
7	GB/T 6170	Nuts M8-A2L	2	
8	FD250.24B.103	Rubber skin	1	
9	6-QW-90MF-1	Battery assembly	1	
10	D250.48.020	The battery holder	1	
11	RD300.48B.026	Battery negative cable assembly	1	
12	GB/T 97.1	Washer 6-A0P	2	
13	GB/T 5783	Nuts M6×15-A2L	2	

RD254.48B.001 Electrical Equipment Installation Drawing-7



RD254.48B.001 Electrical Equipment Installation Drawing-7

S/N	Code and Specification of Part	Parts Name	Quantity	Remark
1	RD250.48.021A	Headlight Wire Harness Assembly	1	
2	DL121	Horn assembly	1	
3	D250.47X.015.1	Front steering lamp	2	
4	D250.47X.015.2	Combination head lamp	2	

DETANK

DETANK