

Fig.No. GROUP NAME

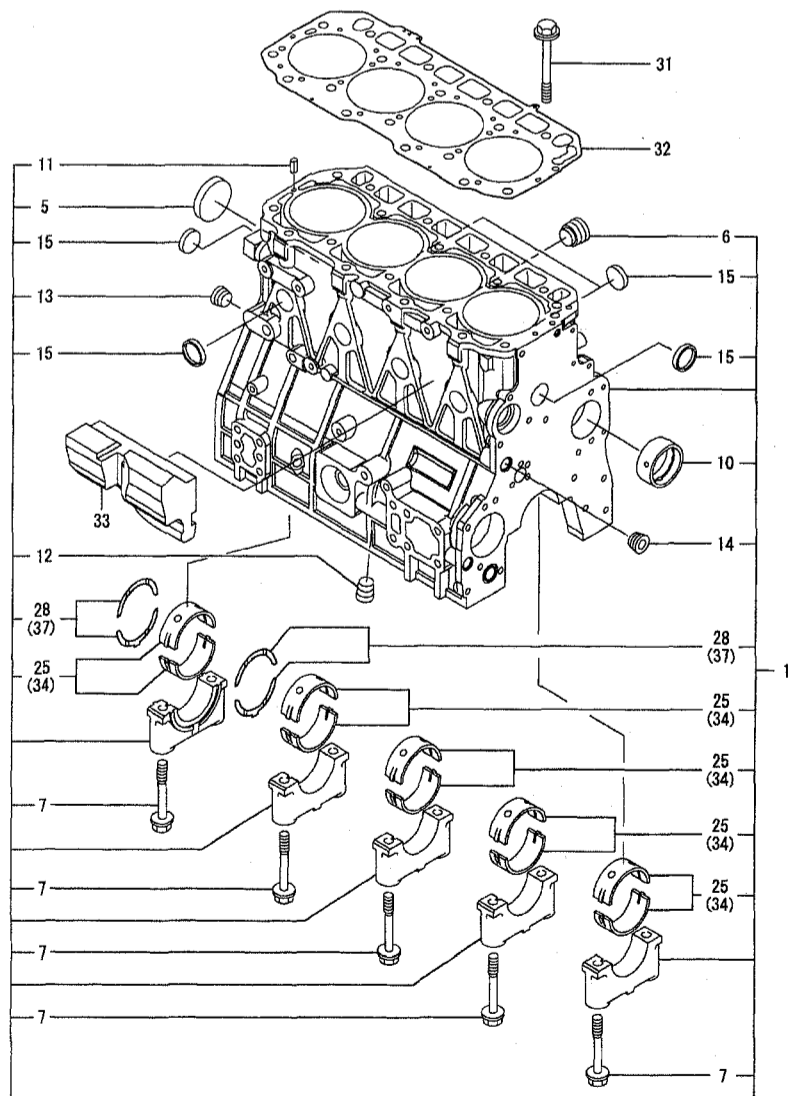
4TNV98-GGEH

1. CYLINDER BLOCK
2. GEAR HOUSING
3. FLYWHEEL HOUSING & OIL SUMP
4. CYLINDER HEAD & BONNET
5. SUCTION MANIFOLD & AIR CLEANER
6. EXHAUST MANIFOLD
7. CAMSHAFT & DRIVING GEAR
8. CRANKSHAFT & PISTON
9. LUB.OIL SYSTEM
10. COOLING WATER SYSTEM
11. FUEL INJECTION PUMP
12. GOVERNOR
13. FUEL INJECTION VALVE
14. FUEL LINE
15. STARTING MOTOR
16. GENERATOR
17. GASKET SET

Fig.No. GROUP NAME

Y00W1550

Fig.1. CYLINDER BLOCK

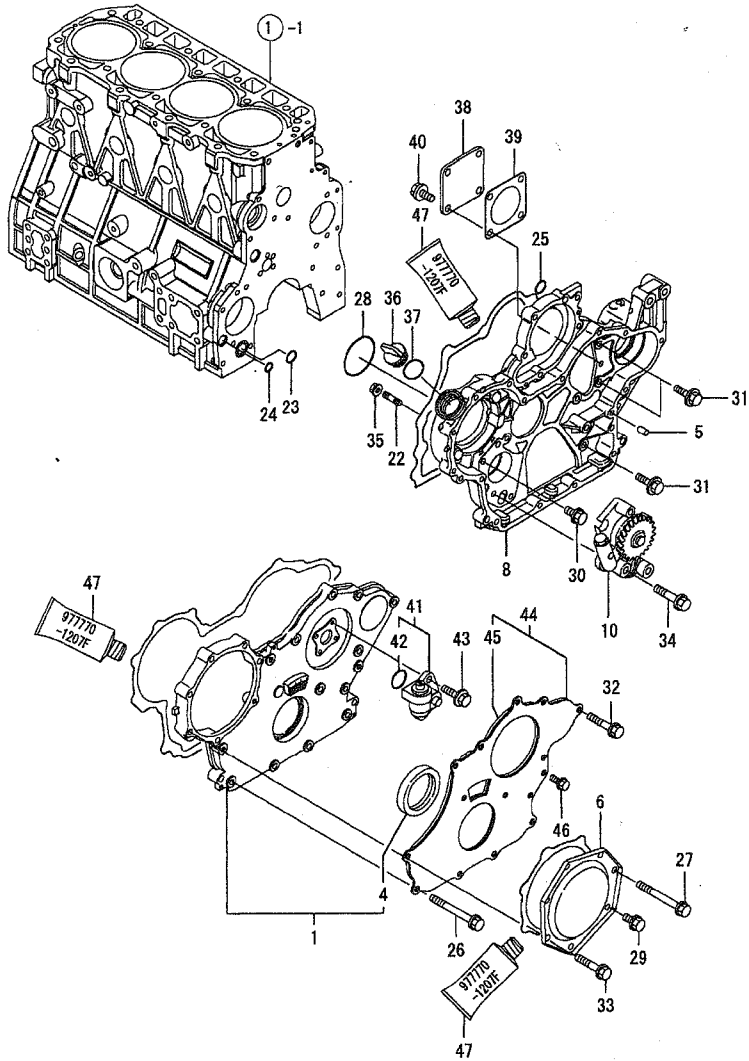


Remarks
(1) UNDER-SIZE(U.S=0.25)PART.
(2) OVER-SIZE(O.S=0.25)PART.
(3) REPAIR PART.

Y00W1550 1. CYLINDER BLOCK

REF.	LEV.	PARTS NO.	DESCRIPTION	QTY						I	R
				(A)	(B)	(C)	(D)	(E)	(F)		
1	1	729907-01560	BLOCK ASSY, CYLINDER	1							
5	2	129900-01250	PLUG 55	1							
6	2	171051-01921	PLUG	1							
7	2	129900-02020	BOLT, METAL CAP	10							
10	2	129900-02410	BUSH, CAMSHAFT	1							
11	2	22351-060012	SPRING PIN 6X12	2							
12	2	23876-030000	PLUG PT3/8,SCREW	1							
13	2	23876-030000	PLUG PT3/8,SCREW	1							
14	2	23876-030000	PLUG PT3/8,SCREW	1							
15	2	27241-300000	PLUG 30	8							
25	2	729900-02801	MAIN BEARING SET	5							3
28	2	129900-02931	BEARING ASSY, THRUST	2							
31	1	129900-01200	BOLT, HEAD	18							
32	1	129907-01331	GASKET,CYLINDER HEAD	1							
33	1	129907-01190	SPACER	1							
34	1	129900-02341	MAIN BEARING US=0.25	5							1
37	1	129900-02941	BEARING,THRUST .25OS	2							2

Fig.2. GEAR HOUSING



Remarks
(1) OPTIONAL PART.

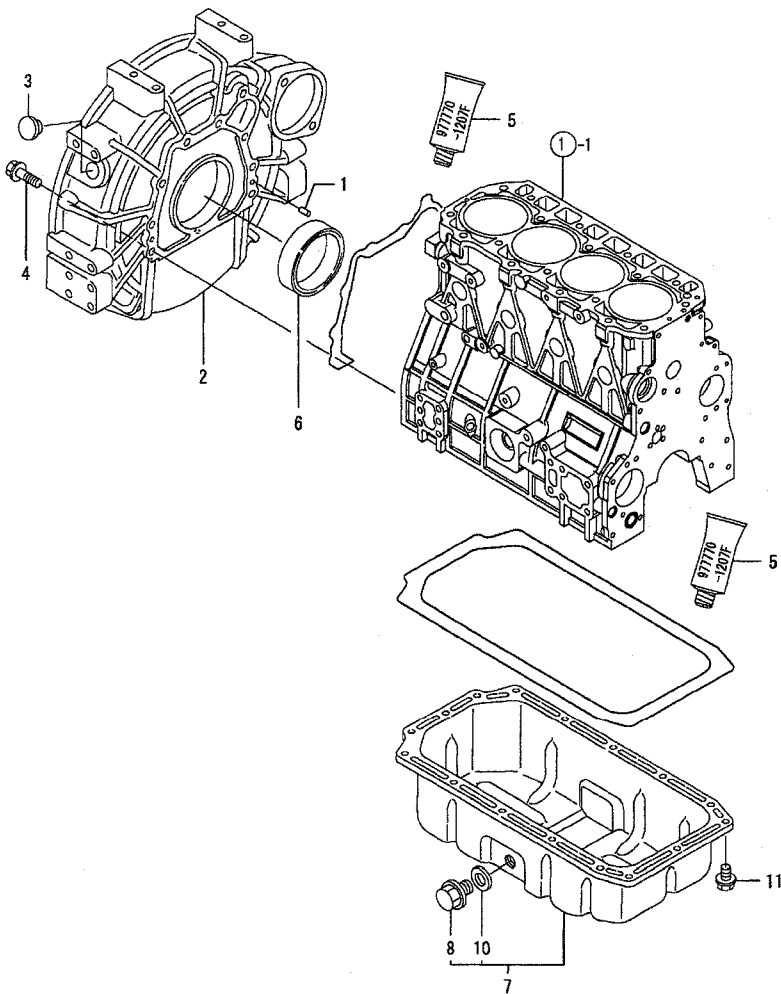
(A)=4TNV98-GGEH
(B)=
(C)=

(D)=
(E)=
(F)=

REF.	LEV.	PARTS NO.	DESCRIPTION	QTY						I	R
				(A)	(B)	(C)	(D)	(E)	(F)		
1	1	729907-01570	HOUSING ASSY,COVER,G	1							
4	2	129900-01780	SEAL, OIL	1							
5	1	129100-01580	PARALLEL PIN 8X16	4							
6	1	129900-01740	COVER, F.I. PUMP	1							
8	1	129907-01500	HOUSING,GEARS	1							
10	1	129900-32001	PUMP ASSY, LUB.OIL	1							
22	1	26216-100302	STUD BOLT	4							
23	1	129900-32030	O-RING P20	1							
24	1	129900-32040	O-RING P14	1							
25	1	24311-000070	O-RING 1A P-7.0	1							
26	1	129001-91810	BOLT M 8X 70 PLATED	6							
27	1	129001-91810	BOLT M 8X 70 PLATED	1							
28	1	24351-030750	PACKING, 3075	1							
29	1	26106-080162	BOLT M 8X 16 PLATED	1							
30	1	26106-080162	BOLT M 8X 16 PLATED	1							
31	1	26106-080202	BOLT M 8X 20 PLATED	3							
32	1	26106-080402	BOLT M 8X 40 PLATED	5							
33	1	26106-080402	BOLT M 8X 40 PLATED	5							
34	1	26106-080452	BOLT M 8X 45 PLATED	3							
35	1	26306-100002	NUT	4							
36	1	124160-01751	COVER,FILLER	1							
37	1	24311-000320	O-RING 1A P-32.0	1							
38	1	124240-01871	COVER, HO-P	1							
39	1	124240-01883	GASKET, (NON-ASB.)	1							
40	1	26106-080162	BOLT M 8X 16 PLATED	4							
41	1	129150-91400	GEAR UNIT,TACHOMETER	1							
42	2	24341-000240	O-RING 1A S-24.0	1							
43	1	26106-060162	BOLT M 6X 16 PLATED	2							
44	1	129900-01850	COVER ASSY	1							
45	2	129900-01870	SPONGE	1							
46	1	26106-080162	BOLT M 8X 16 PLATED	3							
47	1	977770-1207F	GASKET,LIQUID	1							1

N:Old → New, Q:Old → New, R:Old → New, S:Old → New, W:Add, Z:Discontinued, F:Set Change, K:Q'ty Change
(C)Copy Rights YANMAR CO.,LTD and YANMAR AGRICULTURAL EQUIPMENT CO.,LTD.

Fig.3. FLYWHEEL HOUSING & OIL SUMP



Remarks
(1) OPTIONAL PART.

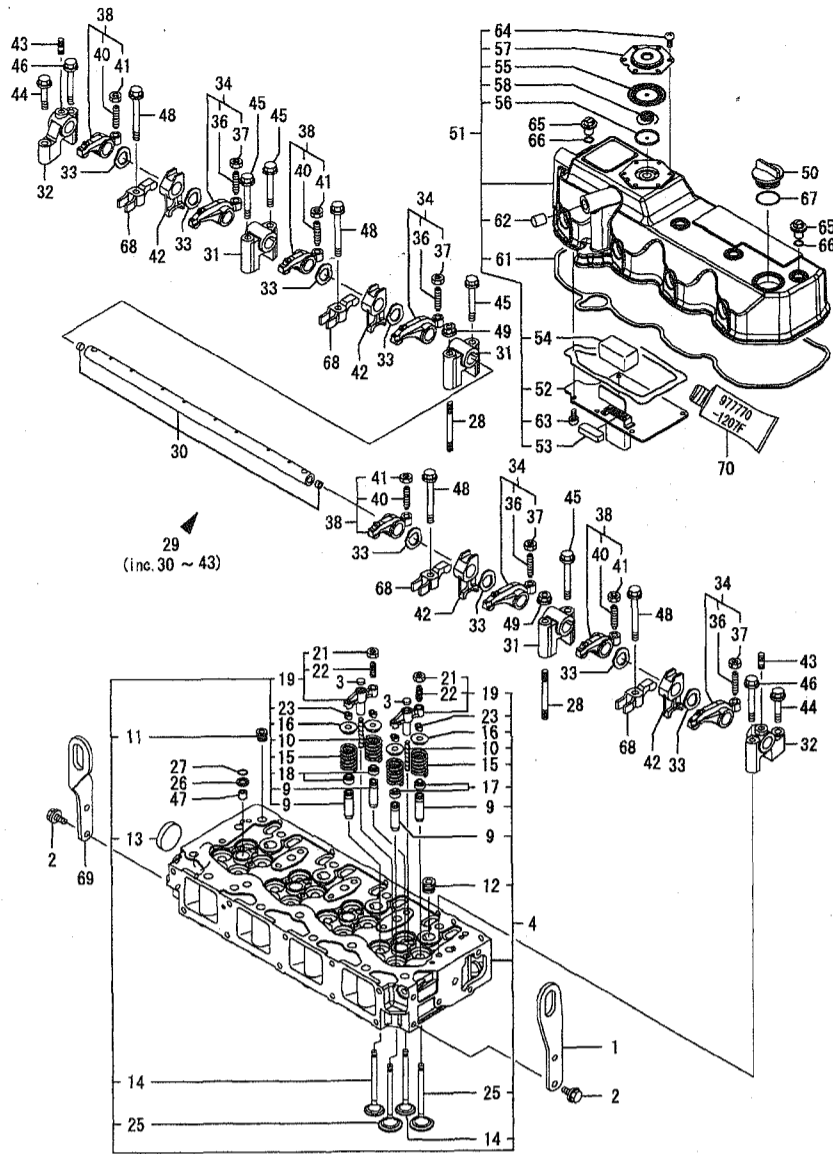
(A)=4TNV98-GGEH
(B)=
(C)=

(D)=
(E)=
(F)=

REF.	LEV.	PARTS NO.	DESCRIPTION	QTY						I	R
				(A)	(B)	(C)	(D)	(E)	(F)		
1	1	129100-01580	PARALLEL PIN 8X16	2							
2	1	129915-01610	HOUSING	1							
3	1	119000-01840	PLUG 25,RUBBER	1							
4	1	26206-100352	BOLT M10X 35 PLATED	9							
5	1	977770-1207F	GASKET,LIQUID	1							1
6	1	124411-01780	SEAL HTC95,115,12	1							
7	1	129982-01710	PAN ASSY, LUB. OIL	1							
8	2	119640-01640	DRAIN PLUG M22	1							
10	2	22190-220002	SEAL WASHER 22S	1							
11	1	26106-080122	BOLT M 8X 12 PLATED	16							

N:Old → New, Q:Old → New, R:Old → New, S:Old → New, W:Add, Z:Discontinued, F:Set Change, K:Q'ty Change
(C)Copy Rights YANMAR CO.,LTD and YANMAR AGRICULTURAL EQUIPMENT CO.,LTD.

Fig.4. CYLINDER HEAD & BONNET



Remarks
 (1) REPAIR PART.
 (2) OPTIONAL PART.

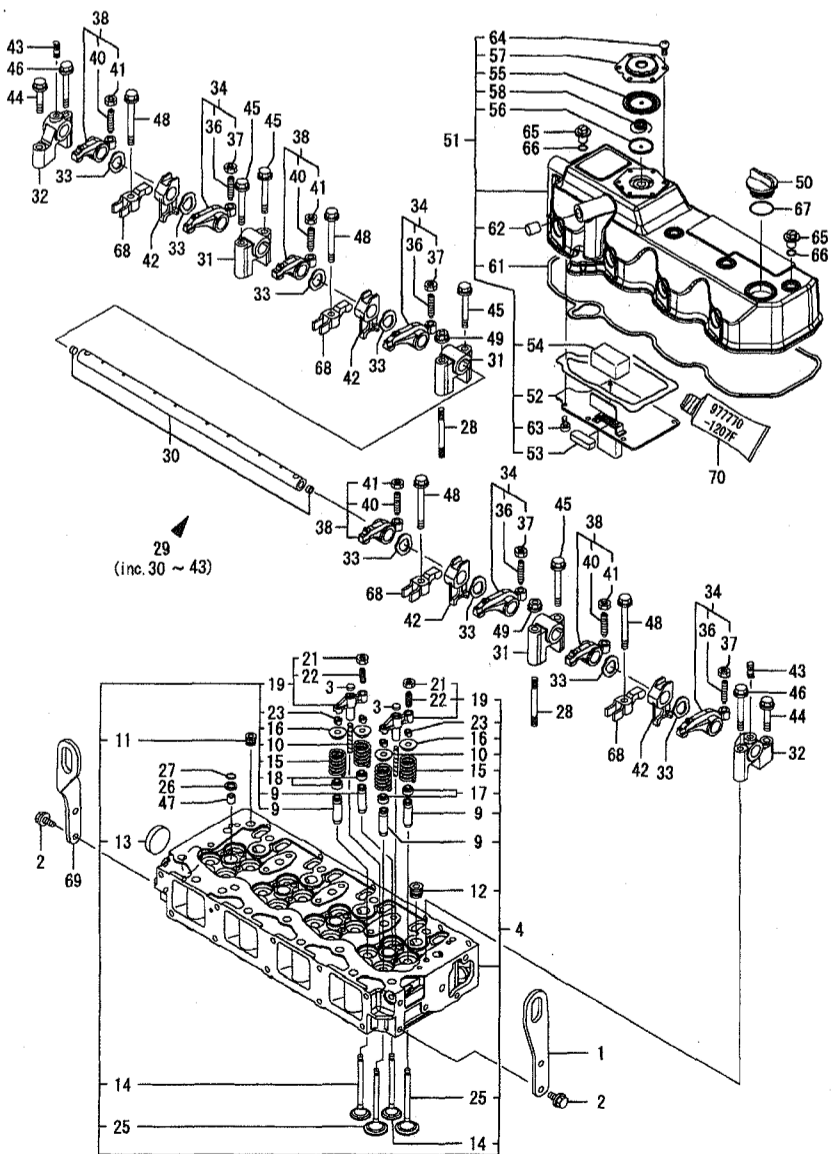
(A)=4TNV98-GGEH
 (B)=
 (C)=

(D)=
 (E)=
 (F)=

REF.	LEV.	PARTS NO.	DESCRIPTION	QTY						I	R
				(A)	(B)	(C)	(D)	(E)	(F)		
1	1	129907-07900	LIFTER, ENGINE	1							
2	1	26106-080162	BOLT M 8X 16 PLATED	4							
3	1	123907-11550	SEAT A,VALVE BRIDGE	8							
4	1	129907-11700	HEAD ASSY, CYLINDER	1							
9	2	129907-11800	GUIDE, VALVE	16							1
10	2	123907-11820	GUIDE,VALVE BRIDGE	8							
11	2	23876-020000	PLUG PT1/4,SCREW	1							
12	2	23876-030000	PLUG PT3/8,SCREW	4							
13	2	27241-400000	PLUG 40	1							
14	2	129907-11110	VALVE(EXH)	8							
15	2	129907-11120	VALVE SPRING	16							
16	2	119620-11180	RETAINER, SPRING	16							
17	2	124160-11340	SEAL, VALVE STEM(INT)	8							
18	2	119803-11340	SEAL, VALVE STEM(EXH)	8							
19	2	129907-11510	BRIDGE ASSY,VALVE	8							
21	3	129150-11750	NUT M8XP1.0	8							
22	3	123907-11830	SCRWE,VALVE BRIDGE	8							
23	2	27310-070001	COTTER ASSY	16							
25	2	129907-11100	VALVE(INT)	8							
26	1	119625-11880	SEAT, NOZZLE	4							
27	1	24311-000120	O-RING 1A P 12.0	4							
28	1	119593-11301	BOLT 8X80	2							
29	1	129907-11341	SUPPORT CMP	1							
30	2	129907-11250	SHAFT,ROCKER ARM	1							
31	2	129907-11260	SUPPORT A	3							
32	2	129907-11270	SUPPORT B	2							
33	2	123907-11280	WAVE WASHER	8							
34	2	129907-11650	ARM ASSY, ROCKER	4							
36	3	129150-11230	SCREW, VALVE	4							
37	3	129150-11750	NUT M8XP1.0	4							
38	2	129907-11660	ARM ASSY, ROCKER	4							
40	3	129150-11230	SCREW, VALVE	4							
41	3	129150-11750	NUT M8XP1.0	4							
42	2	129907-11920	PEDESTAL,RETAINER	4							
43	2	26226-080222	STUD M 8X 22 PLATED	2							
44	1	26106-080402	BOLT M 8X 40 PLATED	2							
45	1	26106-080602	BOLT M 8X 60 PLATED	4							
46	1	26106-080602	BOLT M 8X 60 PLATED	2							
47	1	119802-11870	PROTECTOR, NOZZLE	4							
48	1	129907-11950	FLANGE BOLT,RETAINER	4							
49	1	26306-080002	NUT	2							
50	1	124160-01751	COVER,FILLER	1							
51	1	129907-11320	BONNET ASSY	1							
52	2	129907-03011	BAFFLE PLATE	1							
53	2	129907-03061	BAFFLE	1							
54	2	129907-03070	BAFFLE	1							
55	2	123907-03100	DIAPHRAGM,BREATHER	1							
56	2	123907-03110	CENTER PLATE	1							
57	2	123907-03120	PLATE,BREATHER	1							
58	2	123907-03140	SPRING, DIAPHRAGM	1							
61	2	129907-11310	PACKING,BONNET	1							

N:Old → New, Q:Old → New, R:Old → New, S:Old → New, W:Add, Z:Discontinued, F:Set Change, K:Qty Change
 ++ CONTINUE ++ (C)Copy Rights YANMAR CO.,LTD and YANMAR AGRICULTURAL EQUIPMENT CO.,LTD.

Fig.4. CYLINDER HEAD & BONNET



Remarks
 (1) REPAIR PART.
 (2) OPTIONAL PART.

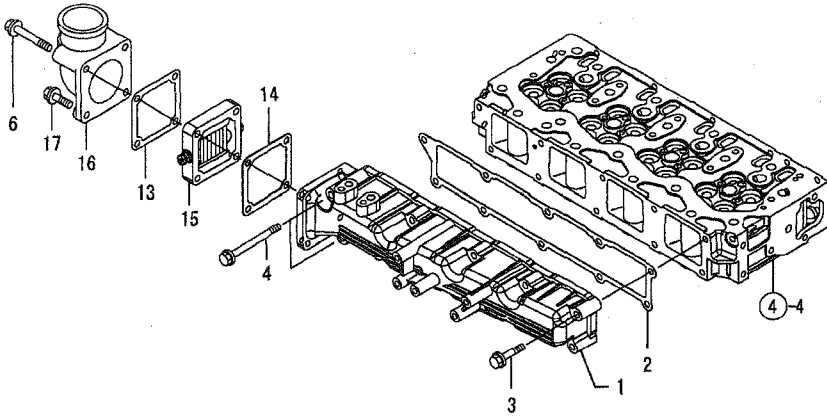
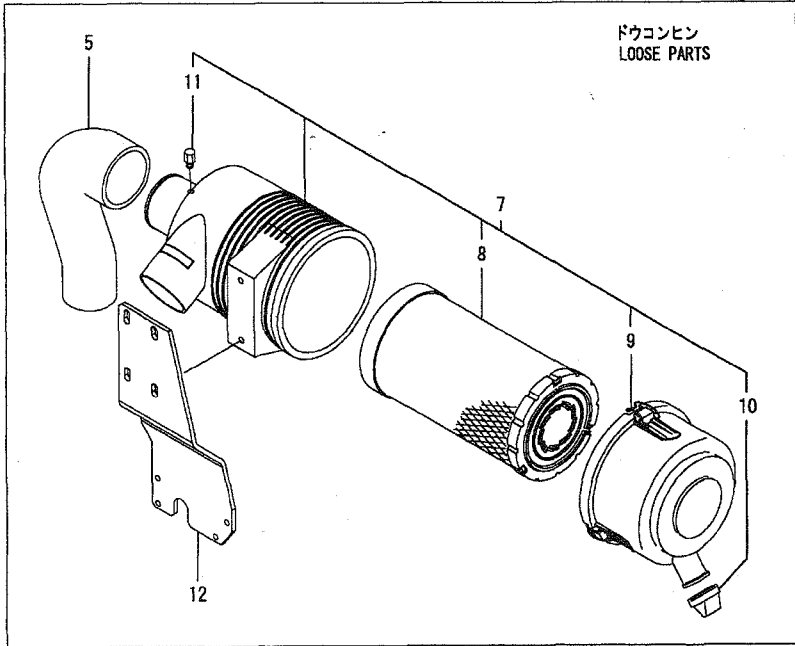
(A)=4TNV98-GGEH
 (B)=
 (C)=

(D)=
 (E)=
 (F)=

REF.	LEV.	PARTS NO.	DESCRIPTION	QTY						I	R
				(A)	(B)	(C)	(D)	(E)	(F)		
62	2	119640-61400	PLUG	1							
63	2	22857-500100	SCREW 5X10,TAPPING	6							
64	2	22857-500100	SCREW 5X10,TAPPING	6							
65	1	124160-11360	KNOB	4							
66	1	24311-000120	O-RING 1A P 12.0	4							
67	1	24311-000320	O-RING 1A P-32.0	1							
68	1	129907-11910	RETAINER,F.I.VALVE	4							
69	1	129910-07900	LIFTER, ENGINE	1							
70	1	977770-1207F	GASKET,LIQUID	1							2

N:Old → New, Q:Old → New, R:Old → New, S:Old → New, W:Add, Z:Discontinued, F:Set Change, K:Qty Change
 (C)Copy Rights YANMAR CO.,LTD and YANMAR AGRICULTURAL EQUIPMENT CO.,LTD.

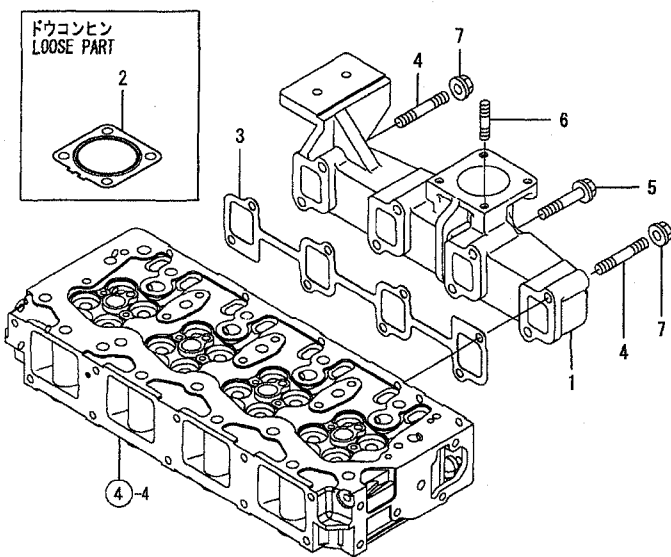
Fig.5. SUCTION MANIFOLD & AIR CLEANER



REF.	LEV.	PARTS NO.	DESCRIPTION	QTY						I	R
				(A)	(B)	(C)	(D)	(E)	(F)		
1	1	129944-12110	INTAKE MANIFOLD	1							
2	1	129907-12110	PACKING(INT.MANIFOLD)	1							
3	1	26106-080452	BOLT M 8X 45 PLATED	8							
4	1	26106-080802	BOLT M 8X 80 PLATED	2							
5	1	129944-12230	HOSE, AIR INTAKE	1							
6	1	26106-080902	BOLT M 8X 90 PLATED	2							
7	1	129933-12500	CLEANER ASSY, AIR	1							
8	2	129935-12520	ELEMENT, OUTER	1							
9	2	119160-12530	COVER-ASSY	1							
10	2	119160-12540	VALVE	1							
11	2	121820-12590	NIPPLE	1							
12	1	129944-12620	BRACKET, AIR CLEANER	1							
13	1	119129-77020	GASKET	1							
14	1	121850-77021	GASKET, (NON-ASB.)	1							
15	1	119005-77050	HEATER, AIR	1							
16	1	119129-77520	BEND	1							
17	1	26106-080402	BOLT M 8X 40 PLATED	2							

N:Old ↔ New, Q:Old ↔ New, R:Old ↔ New, S:Old ↔ New, W:Add, Z:Discontinued, F:Set Change, K:Q'ty Change
 (C)Copy Rights YANMAR CO.,LTD and YANMAR AGRICULTURAL EQUIPMENT CO.,LTD.

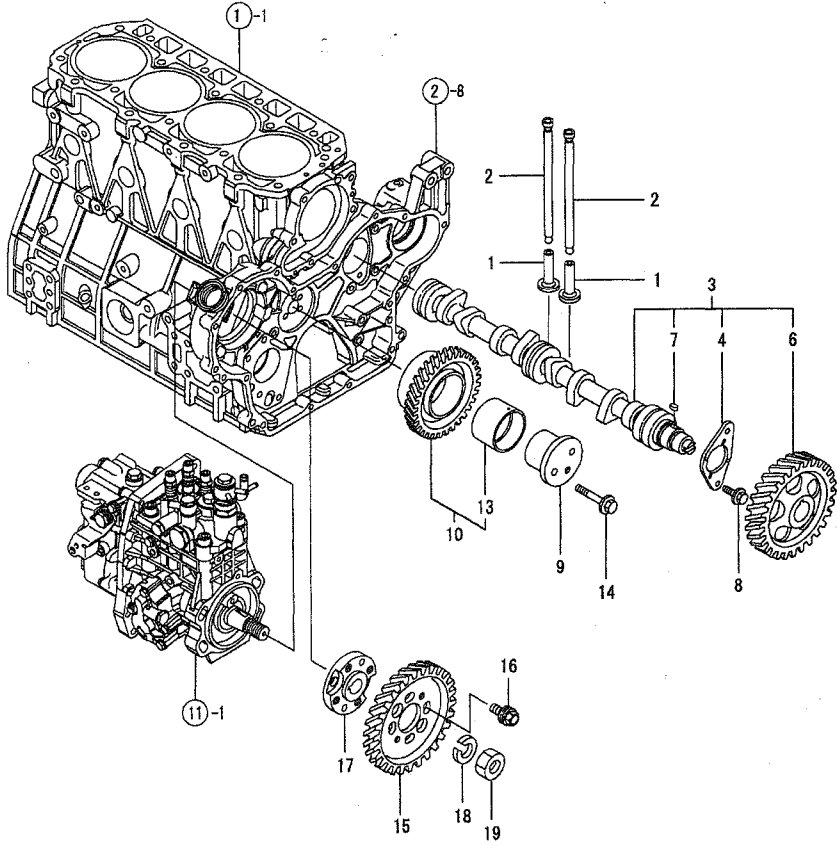
Fig.6. EXHAUST MANIFOLD



REF.	LEV.	PARTS NO.	DESCRIPTION	QTY						I	R
				(A)	(B)	(C)	(D)	(E)	(F)		
1	1	129907-13200	MANIFOLD, EXHAUST	1							
2	1	129930-13201	GASKET, SILENCER	1							
3	1	129900-13251	GASKET	1							
4	1	123900-13610	STUD BOLT M 8X 80	2							
5	1	123900-13630	BOLT 8X80	6							
6	1	119131-18320	BOLT M 8X 22	4							
7	1	26308-080002	NUT	2							

N:Old ↔ New, Q:Old ↔ New, R:Old ↔ New, S:Old ↔ New, W:Add, Z:Discontinued, F:Set Change, K:Q'ty Change
 (C)Copy Rights YANMAR CO.,LTD and YANMAR AGRICULTURAL EQUIPMENT CO.,LTD.

Fig.7. CAMSHAFT & DRIVING GEAR



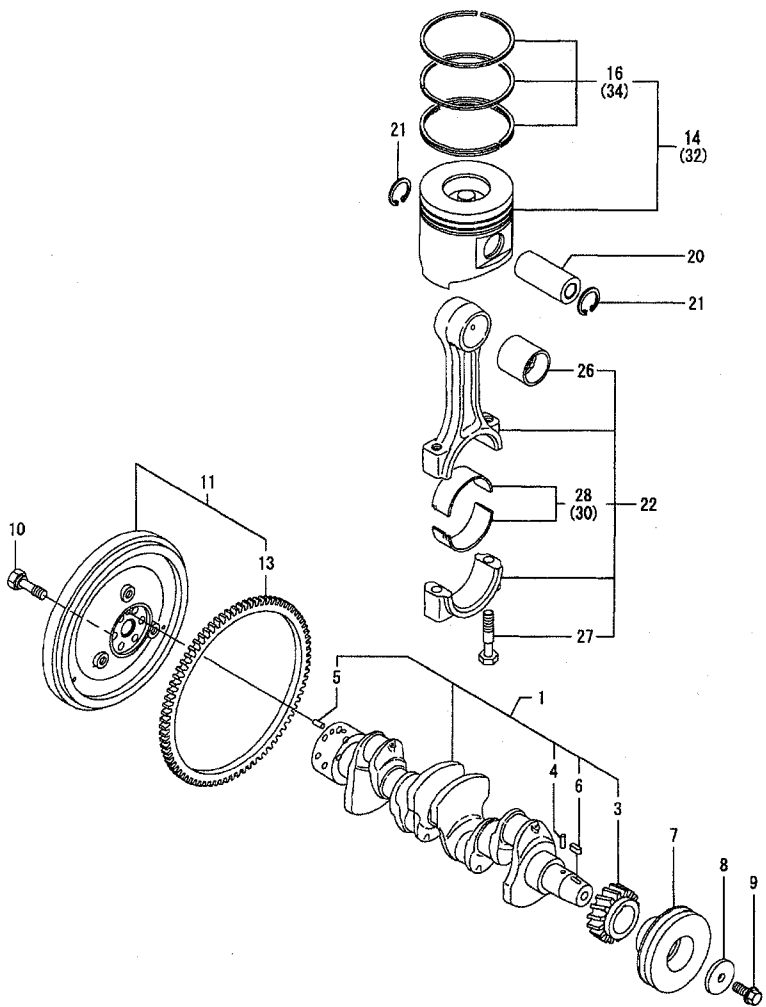
Remarks
(1) REPAIR PART.

Y00W1550 7. CAMSHAFT & DRIVING GEAR

REF.	LEV.	PARTS NO.	DESCRIPTION	QTY						I	R
				(A)	(B)	(C)	(D)	(E)	(F)		
1	1	129150-14200	TAPPET	8							
2	1	129907-14400	PUSH ROD	8							
3	1	129907-14581	CAMSHFT ASSY	1							
4	2	129150-02450	METAL,THRUST(CAM	1							
6	2	129900-14100	GEAR, CAMSHAFT	1							
7	2	22512-070140	KEY 7X 14	1							
8	1	26106-080162	BOLT M 8X 16 PLATED	2							
9	1	123900-25060	SHAFT(GEAR,IDLE	1							
10	1	129900-25100	GEAR ASSY, IDLE	1							
13	2	129150-25920	BUSH, IDLE GEAR	1							1
14	1	26106-080552	BOLT M 8X 55 PLATED	3							
15	1	129907-25900	GEAR,F.I.PUMP	1							
16	1	129953-25300	BOLT	4							
17	1	158563-51150	FLANGE	1							
18	1	22217-180000	SPRING WASHER 18	1							
19	1	26776-180002	NUT M18,LOCK	1							

N:Old ↔ New, Q:Old ↔ New, R:Old ↔ New, S:Old ↔ New, W:Add, Z:Discontinued, F:Set Change, K:Q'ty Change
(C)Copy Rights YANMAR CO.,LTD and YANMAR AGRICULTURAL EQUIPMENT CO.,LTD.

Fig.8. CRANKSHAFT & PISTON



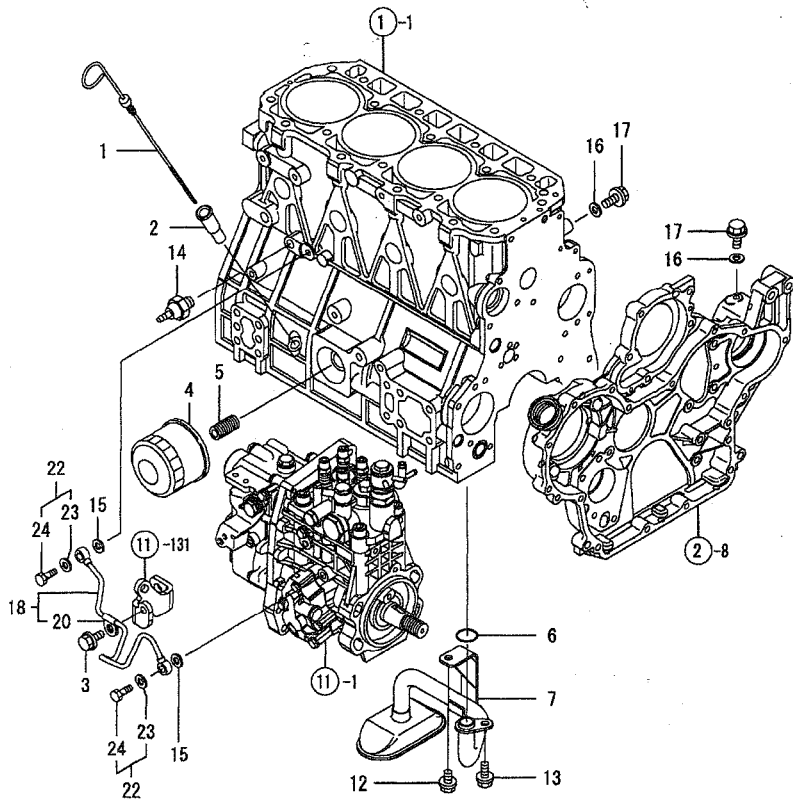
Remarks
(1) REPAIR PART.
(2) UNDER-SIZE(U.S=0.25)PART.
(3) OVER-SIZE(O.S=0.25)PART.

Y00W1550 8. CRANKSHAFT & PISTON

REF.	LEV.	PARTS NO.	DESCRIPTION	QTY						I	R
				(A)	(B)	(C)	(D)	(E)	(F)		
1	1	129902-21000	CRANKSHAFT COMP	1							
3	2	129900-21200	GEAR, CRANKSHAFT	1							
4	2	121850-21290	PARALLEL PIN	1							
5	2	121850-21920	PARALLEL PIN 10X22	1							
6	2	22512-070140	KEY 7X 14	1							
7	1	129907-21660	V-PULLEY,CRANKSHAFT	1							
8	1	129900-21640	WASHER	1							
9	1	121850-21680	BOLT, V-PULLEY	1							
10	1	121850-21130	BOLT, FLYWHEEL	6							
11	1	129920-21580	FLYWHEEL	1							
13	2	127410-21480	RING GEAR Z=129	1							
14	1	129907-22090	PISTON W/RING	4							
16	2	129907-22050	RING SET, PISTON	4							
20	1	120130-22301	PIN, PISTON	4							
21	1	22252-000300	CIRCLIP 30	8							
22	1	129900-23001	ROD ASSY, CONNECTING	4							
26	2	129900-23911	BUSH, PISTON PIN	4							1
27	2	129900-23200	BOLT, ROD	8							
28	2	129900-23601	METAL ASSY, CRANKPIN	4							
30	1	129900-23611	BEARING,PIN U.S=0.25	4							2
32	1	729907-22910	PISTON W/RING O.S=25	4							3
34	2	729907-22950	RING SET O.S=0.25	4							3

N:Old ↔ New, Q:Old ↔ New, R:Old ↔ New, S:Old ↔ New, W:Add, Z:Discontinued, F:Set Change, K:Q'ty Change
(C)Copy Rights YANMAR CO.,LTD and YANMAR AGRICULTURAL EQUIPMENT CO.,LTD.

Fig.9. LUB.OIL SYSTEM



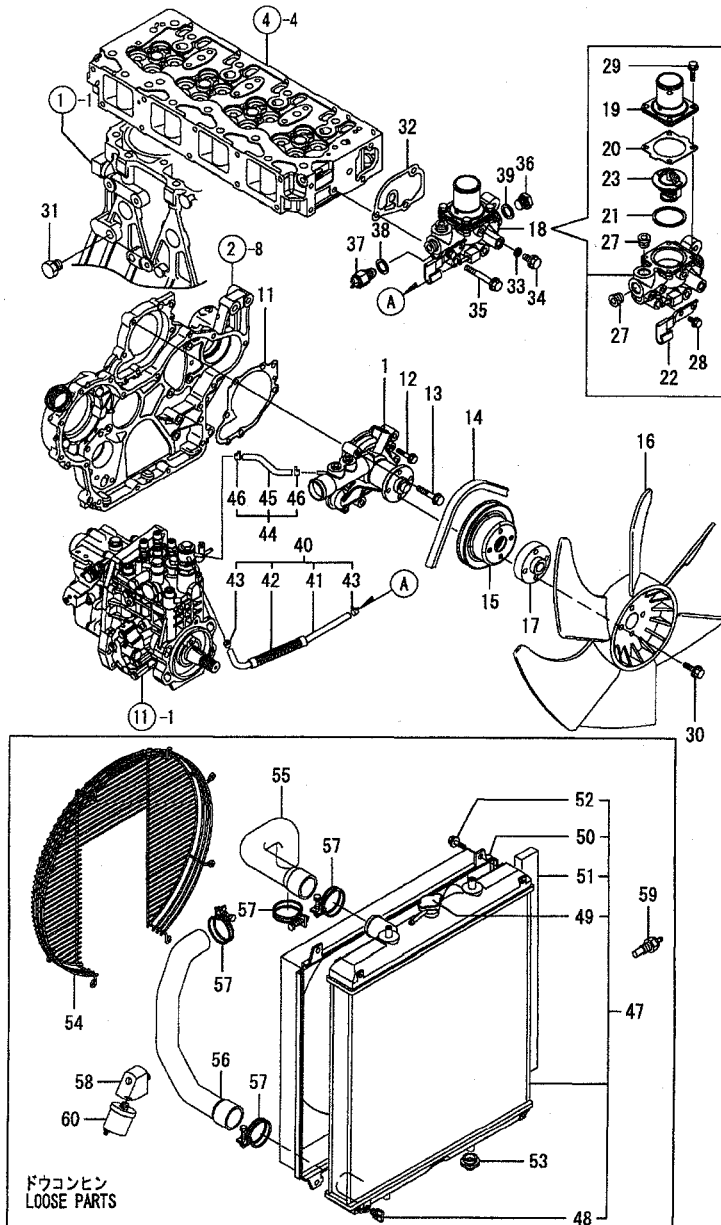
(A)=4TNV98-GGEH
(B)=
(C)=

(D)=
(E)=
(F)=

REF.	LEV.	PARTS NO.	DESCRIPTION	QTY						I	R
				(A)	(B)	(C)	(D)	(E)	(F)		
1	1	129953-34830	DIPSTICK, LUB.OIL	1							
2	1	121520-34810	GUIDE, DIPSTICK	1							
3	1	26106-080122	BOLT M 8X 12 PLATED	1							
4	1	129150-35160	FILTER 80X80L	1							
5	1	119000-35140	STUD, LUB.OIL FILTER	1							
6	1	129900-32030	O-RING P20	1							
7	1	129953-35000	PIPE ASSY, L.OIL INLET	1							
12	1	26106-080122	BOLT M 8X 12 PLATED	1							
13	1	26106-080162	BOLT M 8X 16 PLATED	1							
14	1	114250-39450	SWITCH, (0.5KG) L.O.	1							
15	1	22190-080002	SEAL WASHER 8S	2							
16	1	22190-080002	SEAL WASHER 8S	2							
17	1	26106-080122	BOLT M 8X 12 PLATED	2							
18	1	129907-39061	PIPE ASSY, LUB. OIL	1							
20	2	123907-39500	SUPPORT PIPE	1							
22	1	129005-59830	BOLT ASSY, JOINT	2							
23	2	22190-080002	SEAL WASHER 8S	2							
24	2	23857-030000	JOINT BOLT 3	2							

N.Old ↔ New, Q.Old ↔ New, R.Old ↔ New, S.Old ↔ New, W.Add, Z.Discontinued, F.Set Change, K.Q'ty Change
(C)Copy Rights YANMAR CO.,LTD and YANMAR AGRICULTURAL EQUIPMENT CO.,LTD.

Fig.10. COOLING WATER SYSTEM



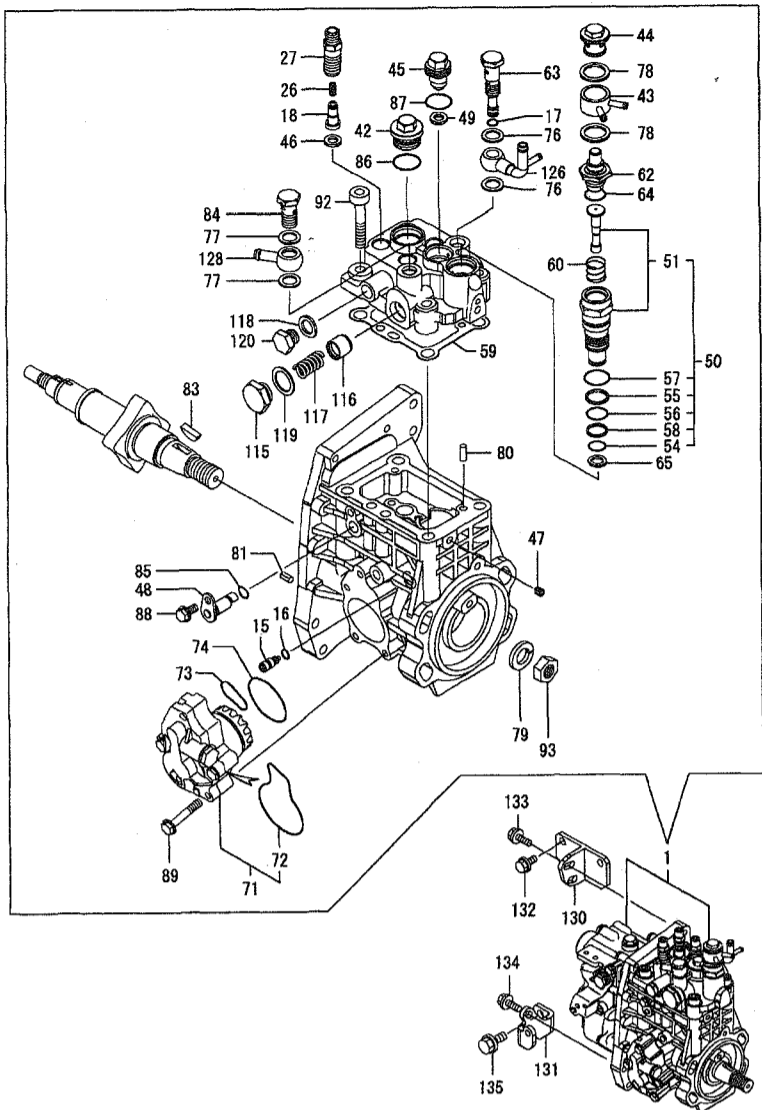
(A)=4TNV98-GGEH
(B)=
(C)=

(D)=
(E)=
(F)=

REF.	LEV.	PARTS NO.	DESCRIPTION	QTY						I	R
				(A)	(B)	(C)	(D)	(E)	(F)		
1	1	129907-42000	PUMP ASSY, WATER	1							
11	1	129900-42020	GASKET, CW-P	1							
12	1	26106-060302	BOLT M 6X 30 PLATED	2							
13	1	26106-080552	BOLT M 8X 55 PLATED	5							
14	1	129052-42290	V-BELT	1							
15	1	129900-42461	PULLEY	1							
16	1	129916-44740	FAN	1							
17	1	119130-44760	SPACER, FAN	1							
18	1	129907-49800	CASE ASSY, THERMOSTAT	1							
19	2	129916-49530	COVER, THERMOSTAT	1							
20	2	121850-49540	GASKET, THERMOSTAT	1							
21	2	121850-49550	GASKET, THERMOSTAT	1							
22	2	129907-49730	PIPE ASSY, INJECTION	1							
23	2	121850-49810	THERMOSTAT	1							
27	2	23875-030000	PLUG PT3/8, STEEL	2							
28	2	26106-060122	BOLT M 6X 12 PLATED	1							
29	2	26106-060202	BOLT M 6X 20 PLATED	4							
30	1	26106-080302	BOLT M 8X 30 PLATED	4							
31	1	171056-49120	PLUG, DRAIN	1							
32	1	129900-49870	GASKET, CASE	1							
33	1	23414-080000	GASKET 8, ROUND	1							
34	1	26106-080122	BOLT M 8X 12 PLATED	1							
35	1	26106-080602	BOLT M 8X 60 PLATED	3							
36	1	121450-42450	PLUG M16	1							
37	1	121250-44901	SWITCH, THERMO(110 C)	1							
38	1	124465-44950	GASKET 16	1							
39	1	124465-44950	GASKET 16	1							
40	1	129907-49610	HOSE A ASSY, WATER	1							
41	2	129907-49710	PIPE A, COOLING WATER	1							
42	2	129907-49750	PROTECTOR, PIPE 10.7	1							
43	2	124722-59050	CLAMP 9	2							
44	1	129907-49620	HOSE B ASSY, WATER	1							
45	2	129907-49720	PIPE B, COOLING WATER	1							
46	2	124722-59050	CLAMP 9	2							
47	1	129940-44500	RADIATOR ASSY	1							
48	2	129508-44550	COCK ASSY	1							
49	2	129107-44590	CAP, RADIATOR	1							
50	2	129907-44600	SHROUD	1							
51	2	129907-44610	GASKET	2							
52	2	26014-060122	BOLT M 6X 12	4							
53	1	119255-44660	RUBBER	4							
54	1	129907-44560	GUARD, FAN	1							
55	1	129981-49050	CW-T(A)	1							
56	1	129981-49061	CW-T(B)	1							
57	1	23010-060000	CLAMP 60	4							
58	1	129915-39600	DAMPER ASSY, LUBE	1							
59	1	124250-49351	THERMOMETER	1							
60	1	119773-91501	SENDER UNIT	1							

N.Old ↔ New, Q.Old ↔ New, R.Old ↔ New, S.Old ↔ New, W.Add, Z.Discontinued, F.Set Change, K.Q'ty Change
(C)Copy Rights YANMAR CO.,LTD and YANMAR AGRICULTURAL EQUIPMENT CO.,LTD.

Fig.11. FUEL INJECTION PUMP



Remarks
(1) GOVERNOR ASSY(FIG.12) IS
INCORPORATED IN THIS FOP.CMP
(REF.NO.1).

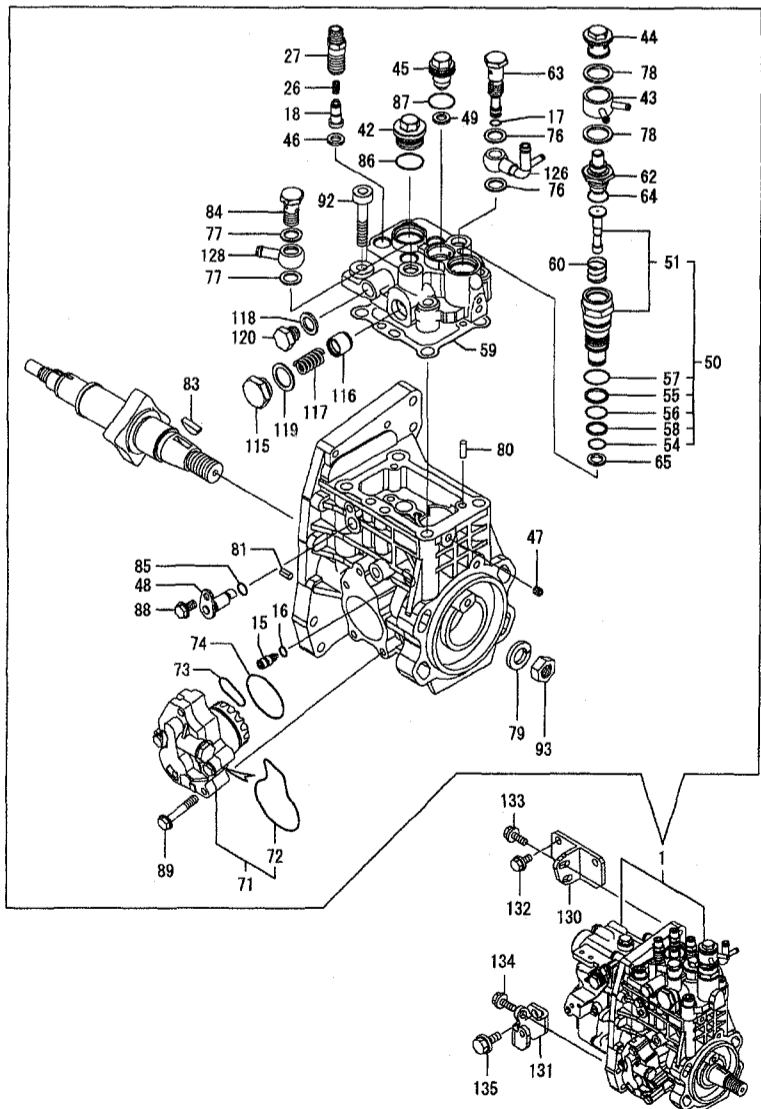
(A)=4TNV98-GGEH
(B)=
(C)=

(D)=
(E)=
(F)=

REF.	LEV.	PARTS NO.	DESCRIPTION	QTY						I	R
				(A)	(B)	(C)	(D)	(E)	(F)		
1	1	729946-51390	INJECTION PUMP ASSY	1							1
15	2	158600-51270	STOPPER	1							
16	2	158563-51281	O-RING	1							
17	2	158563-51281	O-RING	1							
18	2	158560-51300	VALVE ASSY, DILEVERY	4							
26	2	158563-51330	SPRING	4							
27	2	129907-51340	HOLDER	4							
42	2	158601-51550	PLUG	1							
43	2	158553-51551	JOINT, COOLING WATER	1							
44	2	158601-51570	PLUG, WATER PUMP	1							
45	2	129907-51560	PLUG	1							
46	2	158552-51570	PK(BARREL PLUG	4							
47	2	158557-51570	PLUG	1							
48	2	158552-51580	LIFTER	1							
49	2	129906-51580	PACKING, PLUG	1							
50	2	119802-51590	TIMER SET	1							
51	3	119802-51600	TIMER CMP	1							
54	3	158553-51670	O-RING, 1011	1							
55	3	119802-51680	BACKUP RING	1							
56	3	119802-51690	O RING	1							
57	3	24356-010200	PACKING, 1020	1							
58	3	24372-000150	RING, BACKUP T2 P 15	1							
59	2	158560-51600	PACKING, HEAD	1							
60	2	158553-51630	SPRING, TIMER	1							
62	2	158553-51640	ELEMENT, THERMO	1							
63	2	158601-51650	JOINT	1							
64	2	158553-51660	O-RING, P14	1							
65	2	158553-51680	PACKING, TIMER	1							
71	2	158552-52100	PUMP ASSY, FEED	1							
72	3	158552-52500	O-RING(FEED P INNER	1							
73	2	158552-52310	O-RING	1							
74	2	158552-52400	O-RING 4E S42	1							
76	2	22190-120002	SEAL WASHER 12	2							
77	2	22190-120002	SEAL WASHER 12	2							
78	2	22190-180002	SEAL WASHER 18	2							
79	2	22217-180000	SPRING WASHER 18	1							
80	2	22312-050140	PARALLEL PIN 5X14	2							
81	2	22351-050010	SPRING PIN 5X10	2							
83	2	144626-51090	KEY 5X19	1							
84	2	23857-060000	JOINT BOLT 6, PIPE	1							
85	2	24311-000070	O-RING 1A P-7.0	1							
86	2	24356-010200	PACKING, 1020	1							
87	2	24356-020210	O RING	1							
88	2	26106-060102	BOLT 6X 10 PLATED	1							
89	2	26106-060352	BOLT M 6X 35 PLATED	4							
92	2	26450-100452	BOLT M10X 45	4							
93	2	26776-180002	NUT M18, LOCK	1							
115	2	158601-51790	PLUG	1							
116	2	158601-51770	PISTON	1							
117	2	158552-51781	DAMPER ASSY	1							
118	2	22190-120002	SEAL WASHER 12	1							

N:Old → New, Q:Old → New, R:Old → New, S:Old → New, W:Add, Z:Discontinued, F:Set Change, K:Qty Change
++ CONTINUE ++ (C)Copy Rights YANMAR CO.,LTD and YANMAR AGRICULTURAL EQUIPMENT CO.,LTD.

Fig.11. FUEL INJECTION PUMP



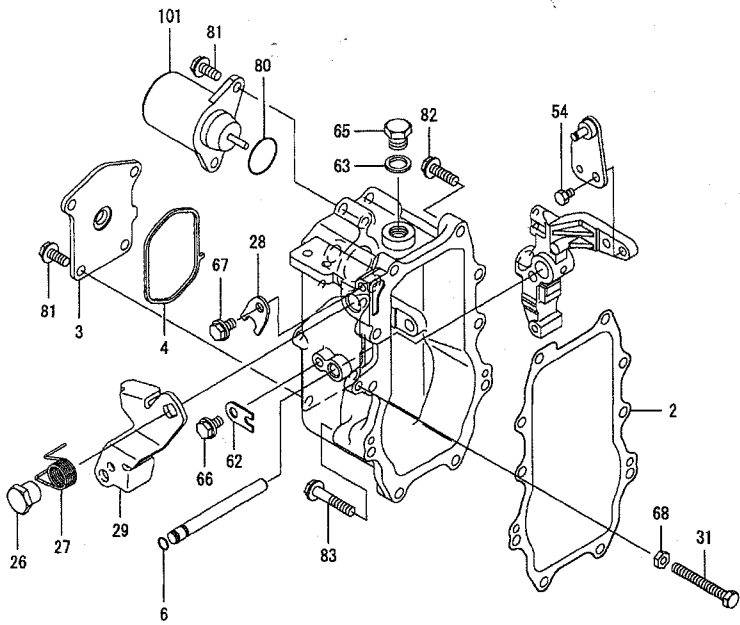
Remarks
(1) GOVERNOR ASSY(FIG.12) IS
INCORPORATED IN THIS FOP.CMP
(REF.NO.1).

(A)=4TNV98-GGEH
(B)=
(C)=

(D)=
(E)=
(F)=

REF.	LEV.	PARTS NO.	DESCRIPTION	QTY						I	R
				(A)	(B)	(C)	(D)	(E)	(F)		
119	2	22190-180002	SEAL WASHER 18	1							
120	2	23887-120002	PLUG M12, HEX.	1							
126	2	158552-51670	JOINT	1							
128	2	129916-59020	JOINT 12, PIPE	1							
130	1	129907-01950	RETAINER, MP4	1							
131	1	129907-01960	RETAINER, MP4	1							
132	1	26106-080162	BOLT M 8X 16 PLATED	2							
133	1	26106-080222	BOLT M 8X 22 PLATED	2							
134	1	26106-080222	BOLT M 8X 22 PLATED	1							
135	1	26106-100202	BOLT M10X 20 PLATED	1							

N:Old → New, Q:Old → New, R:Old → New, S:Old → New, W:Add, Z:Discontinued, F:Set Change, K:Qty Change
(C)Copy Rights YANMAR CO.,LTD and YANMAR AGRICULTURAL EQUIPMENT CO.,LTD.

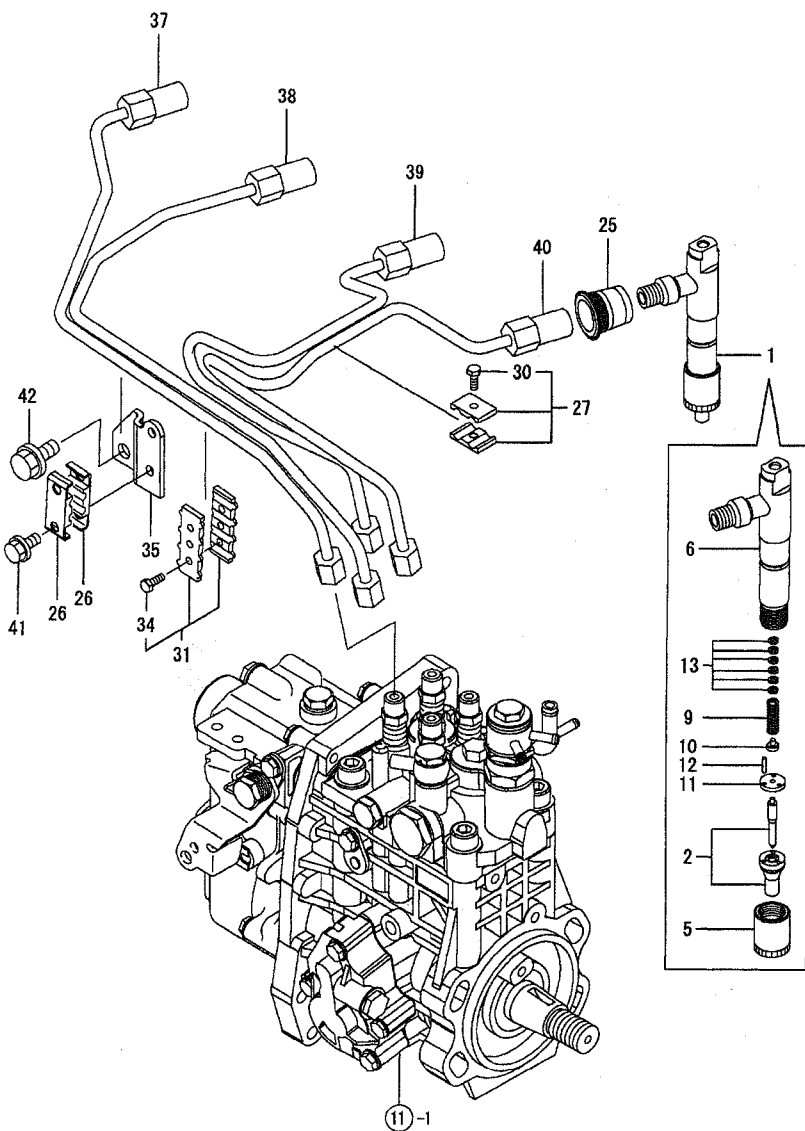


Remarks
* THIS FIGURE(GOVERNOR ASSY)IS
INCORPORATED IN THE FUEL INJECTION
PUMP ASSY(FIG.11).

REF.	LEV.	PARTS NO.	DESCRIPTION	QTY						I	R
				(A)	(B)	(C)	(D)	(E)	(F)		
2	2	158560-61050	PACKING, CASE	1							
3	2	129946-61061	COVER, CASE	1							
4	2	158560-61071	PACKING	1							
6	2	129155-51280	O-RING S6	1							
26	2	129255-61410	NUT	1							
27	2	119807-61420	SPRING	1							
28	2	158560-61430	RETAINER	1							
29	2	129937-61440	LEVER, REGULATOR	1							
31	2	129155-61460	BOLT, IDLE LIMIT	1							
54	2	26116-060102	BOLT M 6X 10 PLATED	1							
62	2	119660-61901	RETAINER, SHAFT	1							
63	2	22190-160002	SEAL WASHER 16S	1							
65	2	23887-160002	PLUG 16,HEX.	1							
66	2	26106-060102	BOLT 6X 10 PLATED	1							
67	2	26106-060102	BOLT 6X 10 PLATED	1							
68	2	26756-060002	LOCK NUT 6	1							
80	2	158552-61900	O-RING	1							
81	2	26106-060142	BOLT M 6X 14 PLATED	6							
82	2	26106-060252	BOLT M 6X 25 PLATED	8							
83	2	26106-060402	BOLT M 6X 40 PLATED	2							
101	2	119653-77950	SOLENOID, STOP	1							

N:Old ↔ New, Q:Old ↔ New, R:Old ↔ New, S:Old ↔ New, W:Add, Z:Discontinued, F:Set Change, K:Q'ty Change
(C)Copy Rights YANMAR CO.,LTD and YANMAR AGRICULTURAL EQUIPMENT CO.,LTD.

Y00W1550
Fig.13. FUEL INJECTION VALVE

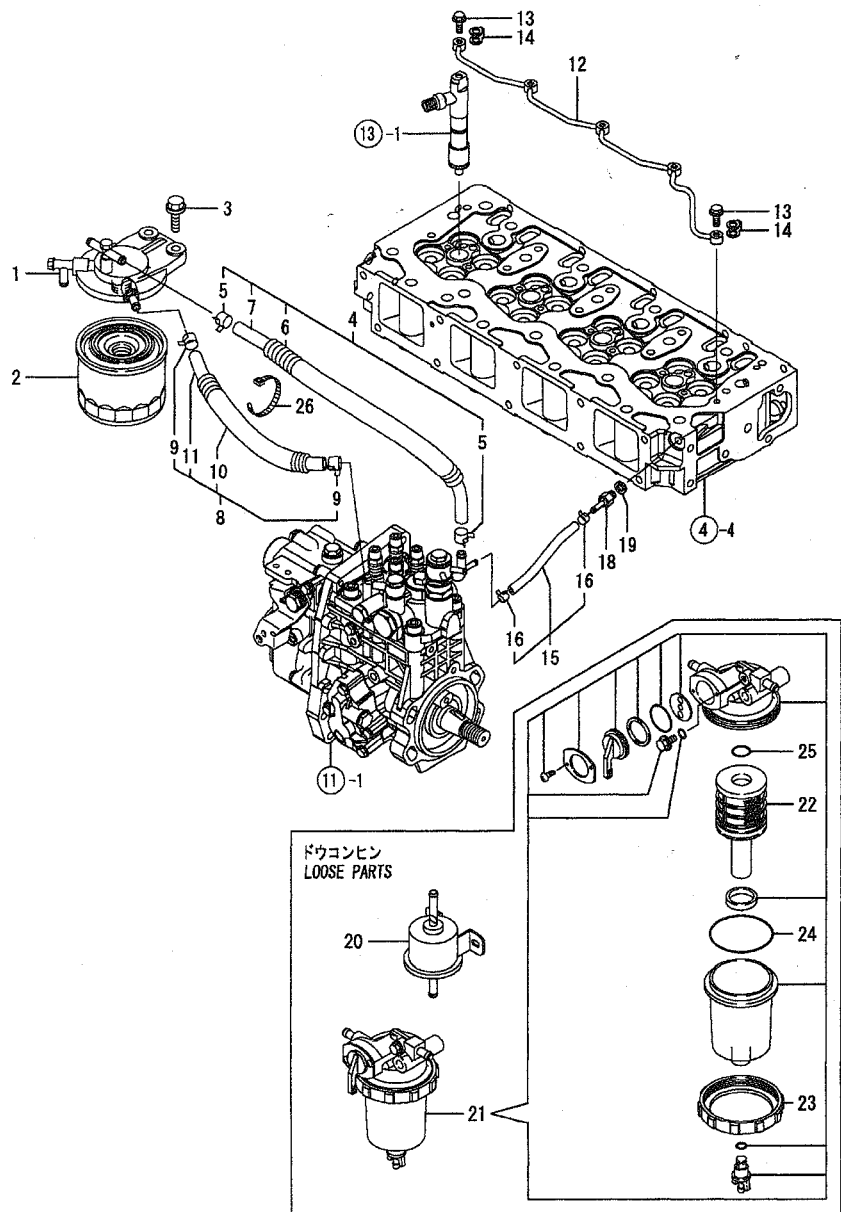


Y00W1550 13. FUEL INJECTION VALVE

REF.	LEV.	PARTS NO.	DESCRIPTION	QTY						I	R
				(A)	(B)	(C)	(D)	(E)	(F)		
1	1	729946-53300	FUEL INJECTOR(VCF	4							
2	2	129937-53000	NOZZLE ASSY	4							
5	2	114250-53080	NUT, NOZZLE CASE	4							
6	2	129907-53100	HOLDER ASSY, NOZZLE	4							
9	2	114250-53120	SPRING, NOZZLE	4							
10	2	114250-53130	SEAT, NOZZLE SPRING	4							
11	2	114250-53140	PLATE, STOP	4							
12	2	114250-53210	PIN	8							
13	2	114250-53400	SHIM PACK	4							
25	1	123907-11601	PIPE SEAL	4							
26	1	122780-59100	RETAINER	2							
27	1	119305-59120	RETAINER	1							
30	2	129150-59131	BOLT M4X14,HEX.SCKT.	1							
31	1	129550-59120	RETAINER	1							
34	2	129150-59131	BOLT M4X14,HEX.SCKT.	2							
35	1	129907-59710	PIPE ASSY, INJECTION	1							
37	1	129907-59810	PIPE ASSY, INJECTION	1							
38	1	129907-59820	PIPE ASSY, INJECTION	1							
39	1	129907-59830	PIPE ASSY, INJECTION	1							
40	1	129907-59840	PIPE ASSY, INJECTION	1							
41	1	26106-060162	BOLT M 6X 16 PLATED	2							
42	1	26106-080182	BOLT M 8X 18 PLATED	1							

N:Old ↔ New, Q:Old ↔ New, R:Old ↔ New, S:Old ↔ New, W:Add, Z:Discontinued, F:Set Change, K:Q'ty Change
(C)Copy Rights YANMAR CO.,LTD and YANMAR AGRICULTURAL EQUIPMENT CO.,LTD.

Fig.14. FUEL LINE



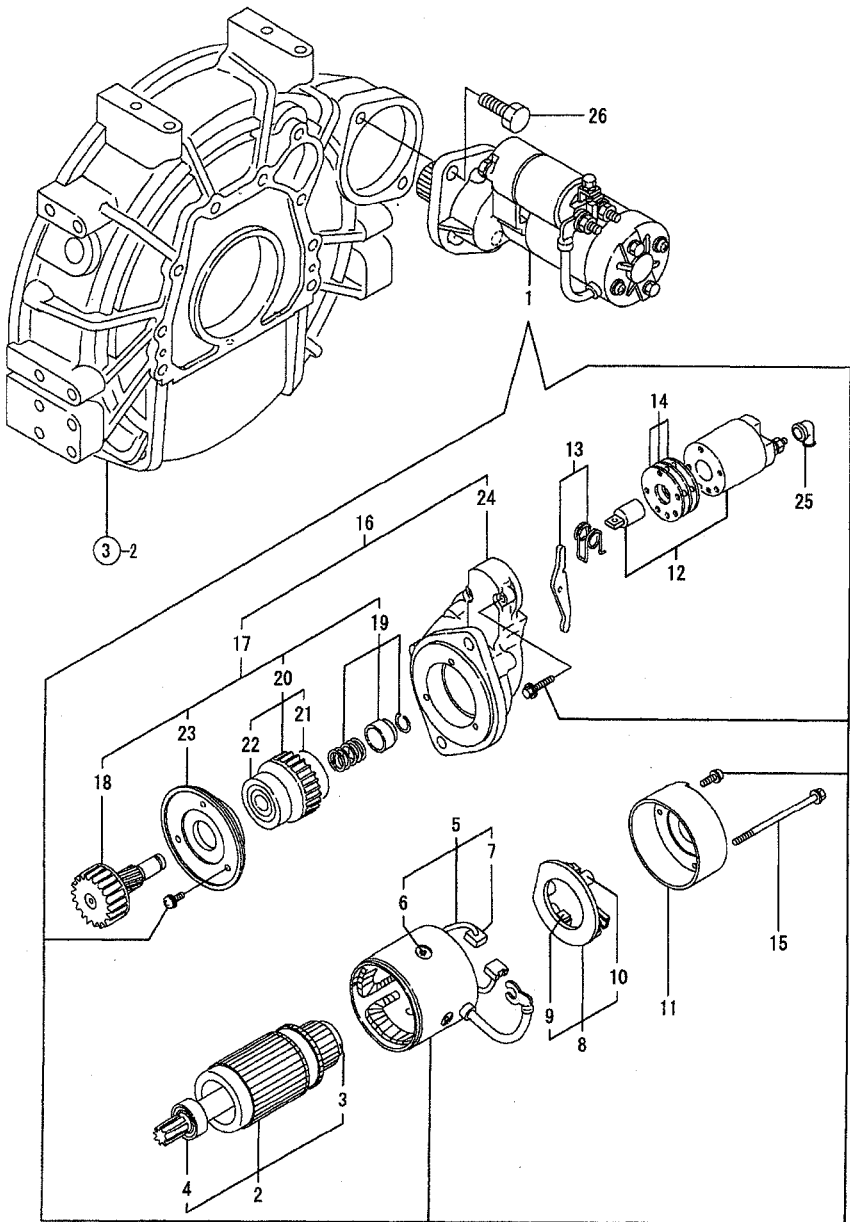
(A)=4TNV98-GGEH
(B)=
(C)=

(D)=
(E)=
(F)=

REF.	LEV.	PARTS NO.	DESCRIPTION	Q'TY						I	R
				(A)	(B)	(C)	(D)	(E)	(F)		
1	1	129004-55612	BRACKET,FUEL FILTER	1							
2	1	119802-55801	FILTER, FUEL	1							
3	1	28106-080302	BOLT M 8X 30 PLATED	2							
4	1	129457-59010	PIPE ASSY, FUEL	1							
5	2	124766-59050	CLAMP 12	2							
6	2	129957-59120	PROTECTOR, FUEL PIPE	1							
7	2	105025-59750	PIPE, FUEL OIL	1							
8	1	129981-59010	PIPE ASSY, FUEL	1							
9	2	124766-59050	CLAMP 12	2							
10	2	129950-59221	TUBE	1							
11	2	129980-59510	PIPE, FUEL OIL	1							
12	1	129907-59140	PIPE ASSY, F.O.RETURN	1							
13	1	123907-59540	JOINT BOLT M6	5							
14	1	123907-59550	PACKING, FUEL RETURN	5							
15	1	129486-59551	PIPE, FUEL RETURN	1							
16	2	124722-59050	CLAMP 9	2							
18	1	123907-59560	HOSE JOINT 4	1							
19	1	22190-080002	SEAL WASHER 8S	1							
20	1	119225-52102	PUMP ASSY, FUEL FEED	1							
21	1	119802-55700	SEPARATOR ASSY	1							
22	2	119802-55710	ELEMENT	1							
23	2	129100-55690	RING, RETAINING	1							
24	2	24321-000650	O-RING 1A G-65.0	1							
25	2	24311-000160	O-RING 1A P-16.0	1							
26	1	121750-59890	CLAMP 140	1							

N:Old → New, Q:Old → New, R:Old → New, S:Old → New, W:Add, Z:Discontinued, F:Set Change, K:Q'ty Change
(C)Copy Rights YANMAR CO.,LTD and YANMAR AGRICULTURAL EQUIPMENT CO.,LTD.

Fig.15. STARTING MOTOR



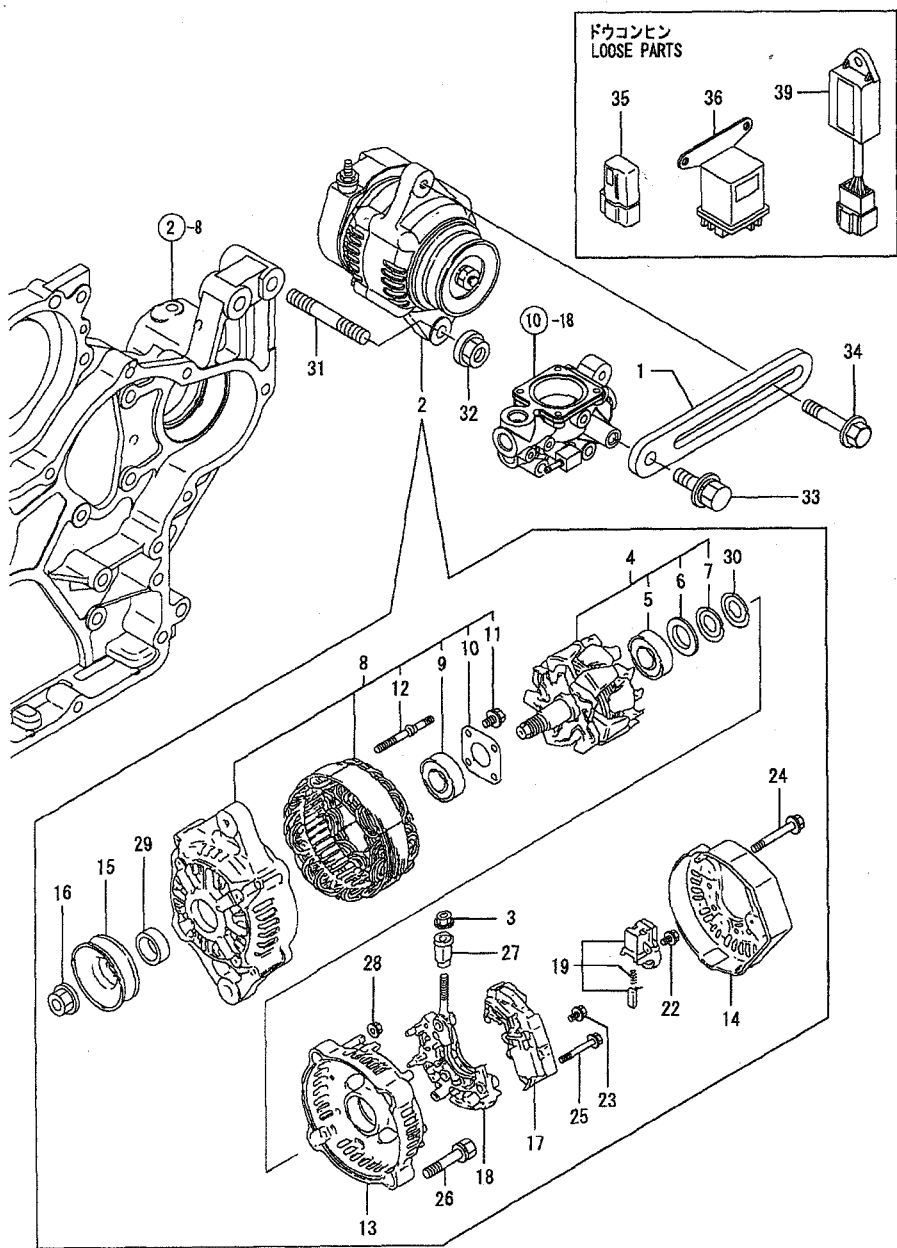
(A)=4TNV98-GGEH
(B)=
(C)=

(D)=
(E)=
(F)=

REF.	LEV.	PARTS NO.	DESCRIPTION	Q'TY						I	R
				(A)	(B)	(C)	(D)	(E)	(F)		
1	1	129900-77010	STARTER(2.3KW)	1							
2	2	129900-77400	ARMATURE ASSY	1							
3	3	X2114155110	BALL BEARING	1							
4	3	X2114255110	BALL BEARING	1							
5	2	129900-77440	COIL ASSY, FIELD	1							
6	3	171008-77450	SCREW, POLE CORE SET	4							
7	3	129900-77450	BRUSH (+)	2							
8	2	129900-77480	HOLDER ASSY, BRASH	1							
9	3	129900-77450	BRUSH (+)	2							
10	3	X2130631300	BRUSH SPRING	4							
11	2	129900-77460	COVER, REAR	1							
12	2	129900-77591	SWITCH ASSY,MAGNETIC	1							
13	2	129900-77620	SHIFT LEVER SET	1							
14	2	129900-77650	COVER ASSY, DUST	1							
15	2	129900-77640	BOLT, THROUGH	2							
16	2	129900-77700	GEAR CASE ASSY	1							
17	3	129900-77510	PINION ASSY	1							
18	4	129900-77540	SHAFT, PINION	1							
19	4	129900-77550	STOPPER SET	1							
20	4	129900-77520	CLUTCH ASSY	1							
21	4	171008-77730	BALL BEARING (3)	1							
22	4	171008-77740	BALL BEARING (4)	1							
23	4	129900-77610	RETAINER, BEARING	1							
24	3	129900-77710	HOUSING, GEARS	1							
25	2	171008-77750	COVER, M TERMINAL	1							
26	1	26116-120302	BOLT M12X 30 PLATED	2							

N:Old → New, Q:Old → New, R:Old → New, S:Old → New, W:Add, Z:Discontinued, F:Set Change, K:Q'ty Change
(C)Copy Rights YANMAR CO.,LTD and YANMAR AGRICULTURAL EQUIPMENT CO.,LTD.

Fig.16. GENERATOR



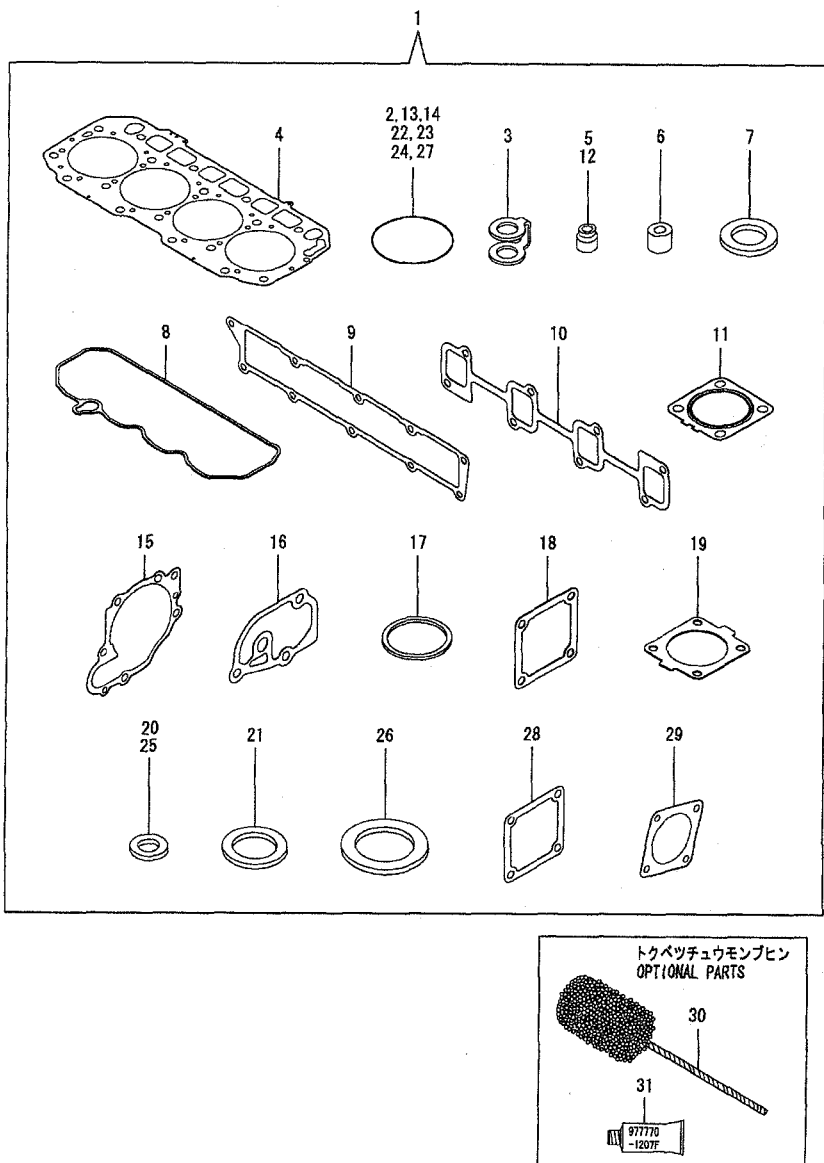
(A)=4TNV98-GGEH
(B)=
(C)=

(D)=
(E)=
(F)=

REF.	LEV.	PARTS NO.	DESCRIPTION	QTY						I	R
				(A)	(B)	(C)	(D)	(E)	(F)		
1	1	129900-77330	AJUSTER, BELT	1							
2	1	129423-77200	GENERATOR	1							
3	2	X9490561001	NUT	1							
4	2	119620-77380	ROTOR ASSY	1							
5	3	123501-79240	BEARING, BALL	1							
6	3	119620-79250	COVER, BEARING	1							
7	3	119620-79360	THRUST WASHER	1							
8	2	119620-77421	FLAME ASSY, DRIVE	1							
9	3	119620-79200	BALL BEARING	1							
10	3	119620-79210	PLATE	1							
11	3	119620-79220	SCREW	4							
12	3	119620-79230	BOLT, STUD	2							
13	2	119620-77440	FLAME ASSY, REAR	1							
14	2	129423-77450	COVER	1							
15	2	119620-77461	PULLEY	1							
16	2	119620-77471	NUT	1							
17	2	129423-77710	REGULATOR ASSY 3020810	1							
18	2	119620-79260	HOLDER	1							
19	2	129052-79270	HOLDER, BRUSH	1							
22	2	119620-79290	SCREW	1							
23	2	119620-79300	SCREW	1							
24	2	119620-79310	BOLT	3							
25	2	119620-79320	SCREW WWASHER	2							
26	2	119620-79330	BOLT	2							
27	2	119620-79340	INSULATION BUSH	1							
28	2	119620-79350	NUT	2							
29	2	119620-77490	COLLAR	1							
30	2	119620-79360	THRUST WASHER	1							
31	1	129795-01900	STUD	1							
32	1	26306-100002	NUT	1							
33	1	26014-080252	BOLT M 8X 25	1							
34	1	119810-77340	BOLT	1							
35	1	119643-66900	DIODE	1							
36	1	119650-77910	RELAY, GROW	1							
39	1	129211-77920	TIMER	1							

N:Old ↔ New, Q:Old ↔ New, R:Old ↔ New, S:Old ↔ New, W:Add, Z:Discontinued, F:Set Change, K:Q'ty Change
(C)Copy Rights YANMAR CO.,LTD and YANMAR AGRICULTURAL EQUIPMENT CO.,LTD.

Fig.17. GASKET SET



(A)=4TNV98-GGEH
(B)=
(C)=

(D)=
(E)=
(F)=

REF.	LEV.	PARTS NO.	DESCRIPTION	QTY						I	R
				(A)	(B)	(C)	(D)	(E)	(F)		
1	1	729946-92620	GASKET SET(NON-ASB.)	1							1
2	2	24341-000240	O-RING 1A S-24.0	1							
3	2	123907-59550	PACKING,FUEL RETURN	5							
4	2	129907-01331	GASKET,CYLINDER HEAD	1							
5	2	124160-11340	SEAL, VALVE STEM(INT)	8							
6	2	119802-11870	PROTECTOR, NOZZLE	4							
7	2	119625-11880	SEAT, NOZZLE	4							
8	2	129907-11310	PACKING,BONNET	1							
9	2	129907-12110	PACKING(INT.MANIFOLD)	1							
10	2	129900-13251	GASKET	1							
11	2	129930-13201	GASKET, SILENCER	1							
12	2	119803-11340	SEAL, VALVE STEM(EXH)	8							
13	2	129900-32030	O-RING P20	2							
14	2	129900-32040	O-RING P14	1							
15	2	129900-42020	GASKET, CW-P	1							
16	2	129900-49870	GASKET, CASE	1							
17	2	121850-49550	GASKET, THERMOSTAT	1							
18	2	121850-77021	GASKET, (NON-ASB.)	1							
19	2	121850-49540	GASKET, THERMOSTAT	1							
20	2	23414-080000	GASKET 8, ROUND	1							
21	2	124465-44950	GASKET 16	2							
22	2	24311-000070	O-RING 1A P-7.0	1							
23	2	24311-000120	O-RING 1A P 12.0	8							
24	2	24311-000320	O-RING 1A P-32.0	2							
25	2	22190-080002	SEAL WASHER 8S	6							
26	2	22190-220002	SEAL WASHER 22S	1							
27	2	24351-030750	PACKING, 3075	1							
28	2	119129-77020	GASKET	1							
29	2	124240-01883	GASKET, (NON-ASB.)	1							
30	1	129400-92450	FLEX HONE	1							1
31	1	977770-1207F	GASKET,LIQUID	1							1

Remarks
(1) OPTIONAL PARTS.

N:Old ↔ New, Q:Old ↔ New, R:Old ↔ New, S:Old ↔ New, W:Add, Z:Discontinued, F:Set Change, K:Q'ty Change
(C)Copy Rights YANMAR CO.,LTD and YANMAR AGRICULTURAL EQUIPMENT CO.,LTD.